



# Evaluation Report

RAIS A/S

Wood-Fired Freestanding Room Heater

Q -TEE II Series

Models: Q -TEE II USA, Q-TEE II C USA

Report Number: 0138WS016S



(TL-130)



#0654



**OMNI-Test Laboratories, Inc.**

Product Testing & Certification

Mailing Post Office Box 301367•97294

Street: 13327 NE Airport Way•97230



Phone: (503) 643-3788

Fax: (503) 643-3799

# Evaluation Report

RAIS A/S

## Wood-Fired Freestanding Room Heater

Q -TEE II Series

Models: Q -TEE II USA, Q-TEE II C USA

**Prepared For:** RAIS A/S  
Industrivej 20, Vangen  
DK-9900 Frederikshavn  
DENMARK

**Prepared By:** OMNI-Test Laboratories  
13327 NE Airport Way  
Portland, OR 97230  
(503) 643-3788

**Test Period:** N/A

**Report Date:** May 10, 2017

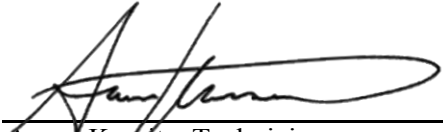
**Report Number:** 0138WS016S

**Project Number:** 0138WS016S.REV001

All data and information contained in this report are confidential and proprietary to RAIS A/S. Its significance is subject to the adequacy and representative character of the samples and to the comprehensiveness of the tests, examinations, or surveys made. The contents of this report cannot be copied or quoted, except in full, without specific, written authorization from RAIS A/S and OMNI-Test Laboratories, Inc. No use of the OMNI-Test Laboratories, Inc. name, logo, or registered mark (OT-L) is permitted, except as expressly authorized by OMNI-Test Laboratories, Inc. in writing.

## AUTHORIZED SIGNATORIES

This report has been reviewed and approved by the following authorized signatories:



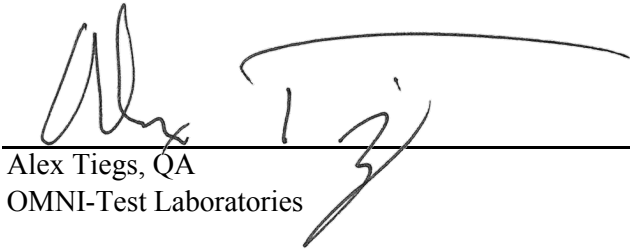
---

Aaron Kravitz, Technician  
OMNI-Test Laboratories



---

Sebastian Button, Evaluator  
OMNI-Test Laboratories



---

Alex Tiegs, QA  
OMNI-Test Laboratories

---

10-May-17

Issue Date

## Table of Contents

	Page
I. INTRODUCTION .....	5
II. UNIT DESCRIPTION .....	6
III. TEST RESULTS AND DISCUSSIONS .....	7
IV. COMPONENT LIST .....	10
V. ILLUSTRATIONS .....	11
VI. DESIGN DRAWINGS .....	13
VII. PRODUCT LABELING .....	76
VIII. PRODUCT MANUALS .....	79
IX. MANUFACTURING AND PRODUCTION-LINE TESTS .....	82
X. QUALITY ASSURANCE/QUALITY CONTROL (QA/QC) .....	83
XI. REVISION HISTORY .....	84

## I. INTRODUCTION

OMNI-Test Laboratories was retained by RAIS A/S to evaluate the construction and performance of the Q -TEE II Series Wood-Fired Freestanding Room Heater to industry safety standards. The Q -TEE II Series was tested to assess compliance with the following standards:

- **UL 1482-2011 (R2015) " Solid-Fuel Type Room Heaters"**
- **ULC-S627-00 "Space Heaters for Use with Solid Fuels"**

All testing on the model Q -TEE II was performed at OMNI's testing facility in Portland, Oregon. The unit was received in good condition and logged in on 9/16/15 and assigned and labeled with OMNI ID No. 2138. Testing was conducted by OMNI representative Aaron Kravitz from 10/9/15 - 10/19/15. The project evaluator was OMNI representative Ken Morgan.

Upon completion of the performance tests, the unit was evaluated to verify construction diagrams. The results in this report are limited to the items submitted.

Under project number 0138WS016S.REV001, another model was added to the listing to create a two-model series. The new model, the Q-TEE II C, features an identical firebox and airflow design, but has curved sides in place of the Q-TEE II's straight sides. The main firebox baffle (used by both units) was also modified; steel reinforcement was added to the sides to improve durability.

This report serves as documentation that the aforementioned models comply with the requirements of the standards listed above.

## II. Unit Description

The RAIS A/S Q-TEE II series is a radiant, free-standing solid-fuel room heater for indoor residential use. The Q-TEE II series features a large glass fuel-loading door available in two styles; all-glass and steel-framed. The Q-TEE II series is also offered with an optional pedestal base that bolts to the bottom of the core firebox. In addition to these variations the Q-TEE II C, added to the listing under REV001 utilizes the same overall design with curved sides.



RAIS model Q-Tee II shown with optional pedestal base

Copies of the labels for the Q -TEE II Series are included in Section VII of this report. Design drawings of the individual component parts are shown in Section VI.

### III. TEST RESULTS AND DISCUSSIONS

Test Summary - Project No. 0138WS016S			
Testing Location:	OMNI - 13327 NE Airport Way ~ Portland, OR 97230		
Test Period:	10/9/15 - 10/19/15		
Specimen Rec. Date:	9/16/15	Sample Number	2138
Specimen Condition	Prototype, Production Quality	Additional ID Nos	

The following tests were performed:

Description of test	UL 1482 Section	ULC S627 Section		
Brand / Crib Fire Tests	12	7.6		
Flash Fire Tests	13	7.7		
Door Hazard Test	N/A	7.8		
Radiant Fire Test	11	N/A		
Glazing Tests	15	N/A		
Stability Test	16.2	7.10		
Strength Test - Top Loading	-	7.12		
Strength Test - Impact	-	7.13		

The sample(s) submitted and evaluated under this report have been also evaluated to the constructional requirements of the standards cited in this report and have been found to comply.

Tables 1 and 2 present clearance to combustible installation requirements.

Floor requirements differ depending on whether the optional pedestal base (RAIS part number 838040590) is used;

Installation WITHOUT optional pedestal base

When installed WITHOUT optional base, In the U.S., floor protection must be constructed of a non-combustible material with a minimum R of 3.19 Btu\*in/Hrs\*ft<sup>2</sup>\*°F or greater and installed to extend beneath the heater and 24 inches to the front and 8 inches to the sides of the fuel-loading and ash-removal openings. In Canada, floor protection must be constructed of a non-combustible material with a minimum R of 3.19 Btu\*in/Hrs\*ft<sup>2</sup>\*°F or greater and installed to extend beneath the heater and 760 mm (30 inches) to any side with a door and 200 m (8 inches) beyond the appliance on the other sides. Complete installation instructions are included in the owner's manual located in section VIII of this report.

Installation WITH optional pedestal base

When installed WITH optional base, In the U.S., floor protection must be constructed of a non-combustible material with a minimum R = 0 (no thermal protection is required), and installed to extend beneath the heater and 16 inches to the front and 8 inches to the sides of the fuel-loading and ash-removal openings. In Canada, floor protection must be constructed of a non-combustible material with a minimum R = 0 (no thermal protection is required), and installed to extend beneath the heater and 460 mm (18 inches) to any side with a door and 200 m (8 inches) beyond the appliance on the other sides. Complete installation instructions are included in the owner's manual located in section VIII of this report.

<b>Table 1 - Q -TEE II Series</b>		
<b>Models: Q -TEE II USA, Q-TEE II C USA Minimum Clearances to Combustibles</b>		
<b>Parallel Wall using Single Wall Connector Pipe WITH pedestal</b>		
Clearance Description	Inches	Millimeter (mm)
Side Wall to Appliance	14.0	356
Side Wall to Connector Pipe	22.5	572
Back Wall to Appliance	12.0	305
Back Wall to Connector Pipe	15.0	381
Ceiling - From Floor	84.0	2134
Ceiling - From top of Appliance	45.0	1143
Thermal Floor Protection Required	None Required (R = 0)	
<b>Parallel Wall using Single Wall Connector Pipe WITHOUT pedestal</b>		
Clearance Description	Inches	Millimeter (mm)
Side Wall to Appliance	15.0	381
Side Wall to Connector Pipe	23.5	597
Back Wall to Appliance	15.0	381
Back Wall to Connector Pipe	18.0	457
Ceiling - From Floor	84.0	2134
Ceiling - From top of Appliance	45.0	1143
Thermal Floor Protection Required	R = 3.19 or greater	
<b>Corner Installation using Single Wall Connector Pipe WITH pedestal</b>		
Clearance Description	Inches	Millimeter (mm)
Side Walls to Appliance	11.0	279
Side Walls to Connector Pipe	20.0	508
Ceiling - From Floor	84.0	2134
Ceiling - From top of Appliance	45.0	1143
Thermal Floor Protection Required	None Required (R = 0)	
<b>Corner Installation using Single Wall Connector Pipe WITHOUT pedestal</b>		
Clearance Description	Inches	Millimeter (mm)
Side Walls to Appliance	13.0	330
Side Walls to Connector Pipe	22.0	559
Ceiling - From Floor	84.0	2134
Ceiling - From top of Appliance	45.0	1143
Thermal Floor Protection Required	R = 3.19 or greater	
<b>Rear Vent WITH pedestal only</b>		
Clearance Description	Inches	Millimeter (mm)
Side Walls to Appliance	14.0	356
Side Walls to Connector Pipe	22.5	572
Back Wall to Appliance	12.0	305
Ceiling - From Floor	84.0	2134
Ceiling - From top of Appliance	45.0	1143
Thermal Floor Protection Required	None Required (R = 0)	



<b>Table 2 - Model : Q-TEE II C Minimum Clearances to Combustibles</b>		
<b>Parallel Wall using Single Wall Connector Pipe WITH pedestal</b>		
Clearance Description	Inches	Millimeter (mm)
Side Wall to Appliance	14.0	356
Side Wall to Connector Pipe	24.0	610
Back Wall to Appliance	12.0	305
Back Wall to Connector Pipe	17.0	432
Ceiling - From Floor	84.0	2134
Ceiling - From top of Appliance	45.0	1143
Thermal Floor Protection Required	None Required (R = 0)	
<b>Parallel Wall using Single Wall Connector Pipe WITHOUT pedestal</b>		
Clearance Description	Inches	Millimeter (mm)
Side Wall to Appliance	15.0	381
Side Wall to Connector Pipe	25.0	635
Back Wall to Appliance	15.0	381
Back Wall to Connector Pipe	20.0	508
Ceiling - From Floor	84.0	2134
Ceiling - From top of Appliance	45.0	1143
Thermal Floor Protection Required	R = 3.19 or greater	
<b>Corner Installation using Single Wall Connector Pipe WITH pedestal</b>		
Clearance Description	Inches	Millimeter (mm)
Side Walls to Appliance	13.5	343
Side Walls to Connector Pipe	22.5	572
Ceiling - From Floor	84.0	2134
Ceiling - From top of Appliance	45.0	1143
Thermal Floor Protection Required	None Required (R = 0)	
<b>Corner Installation using Single Wall Connector Pipe WITHOUT pedestal</b>		
Clearance Description	Inches	Millimeter (mm)
Side Walls to Appliance	15.5	394
Side Walls to Connector Pipe	24.5	622
Ceiling - From Floor	84.0	2134
Ceiling - From top of Appliance	45.0	1143
Thermal Floor Protection Required	R = 3.19 or greater	
<b>Rear Vent WITH pedestal only</b>		
Clearance Description	Inches	Millimeter (mm)
Side Walls to Appliance	14.0	356
Side Walls to Connector Pipe	24.0	610
Back Wall to Appliance	12.0	305
Ceiling - From Floor	84.0	2134
Ceiling - From top of Appliance	45.0	1143
Thermal Floor Protection Required	None Required (R = 0)	

During thermal testing, all wall, ceiling, and floor temperatures remained within standard safety limits at the clearances specified. Follow-up measurements of production line parts will be conducted during QA on-site visits.

## IV - COMPONENT LIST

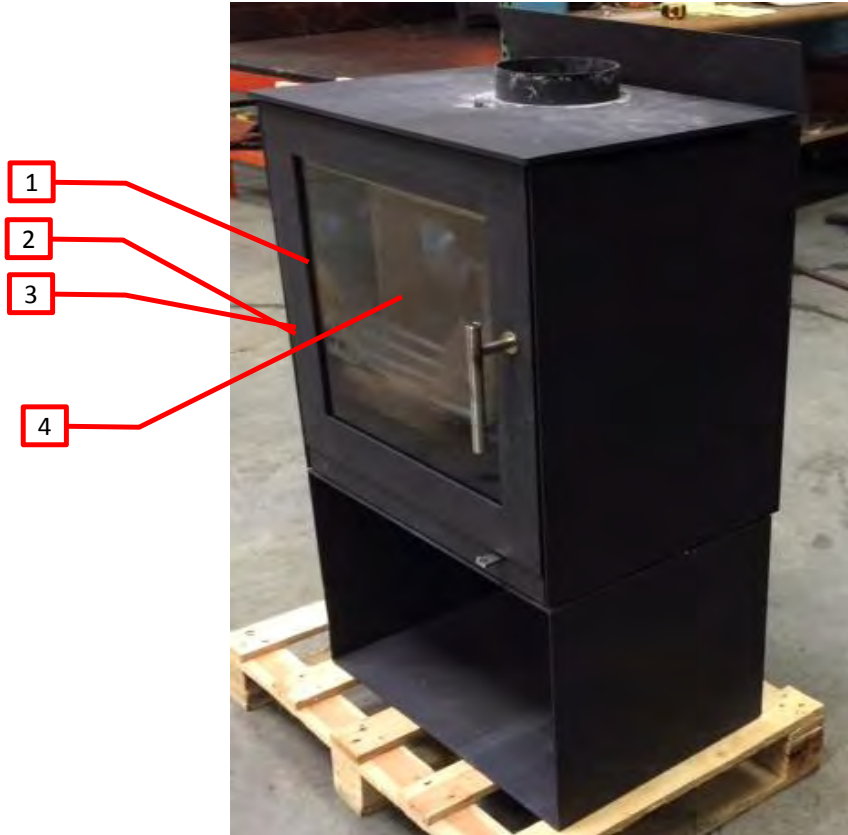
List of Components						
Illus. #	Item #	Description	Component Part No.	Manufacturer / Model No.	Ratings/ Specifications	Marks of Conformity
1	1	Door Glass	8385001, 8345002	Robax	4 mm Ceramic	NR (1)
1	2	Door Glass Gasket	8385003	Robax	10x2 mm Fiberglass Braid	NR (1)
1	3	Door Frame Seal Gasket	005501	Various	10x2 mm Fiberglass Braid	NR (1)
1	4	Firebox Refractory Lining	8392201, 8392202, 8392203, 8392204, 8392205, 8392206, 8392207	Skamol	Compressed Vermiculite	NR (1)
1	5	Flame Baffle Assembly	8392209mon, 8392210, 8392211	Skamol	Compressed Vermiculite	NR (1)
2	6	Separable Door Handle	8391016	RAIS A/S	Separable, Steel	NR (1)

"NR (1)" - Denotes a component that is not recognized and is not required to be.

"Various" denotes that any type or manufacturer of the component may be used that meets the Ratings and Recognition noted in this component list.

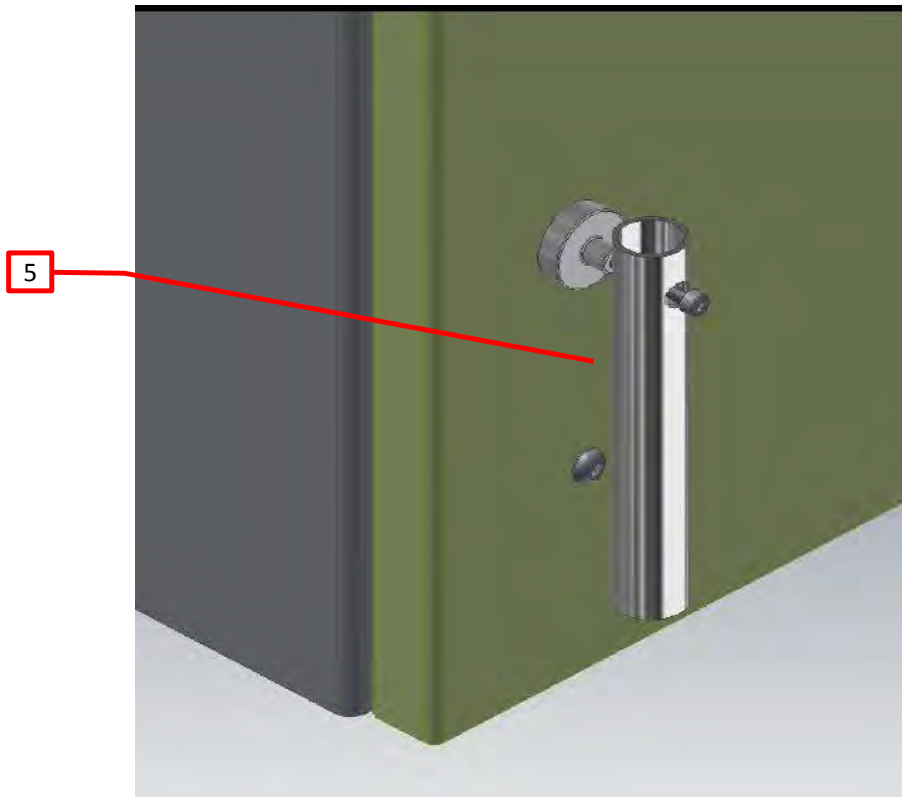
## V - ILLUSTRATIONS

**Illustration 1** - Front 3/4 view of RAIS model Q-Tee II  
Shown with optional pedestal base installed



**Illustration 2** - Design representation of Separable Handle Front 3/4 view of RAIS model Q-Tee II

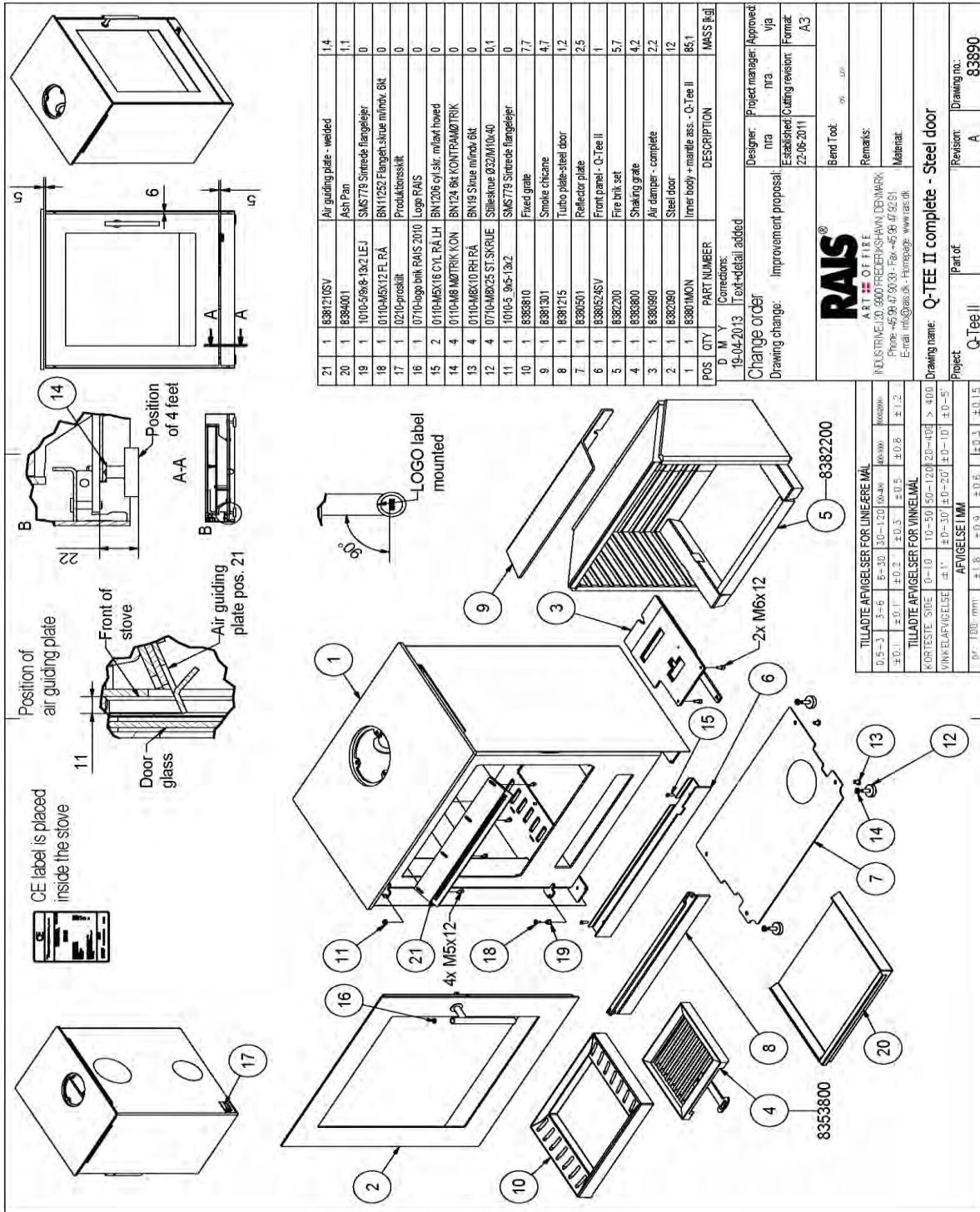
NOTE: Door handle in illustration 1 above was a permanent door handle present at the time of testing. This illustration is a rendering of the design to be used for a Separable handle.



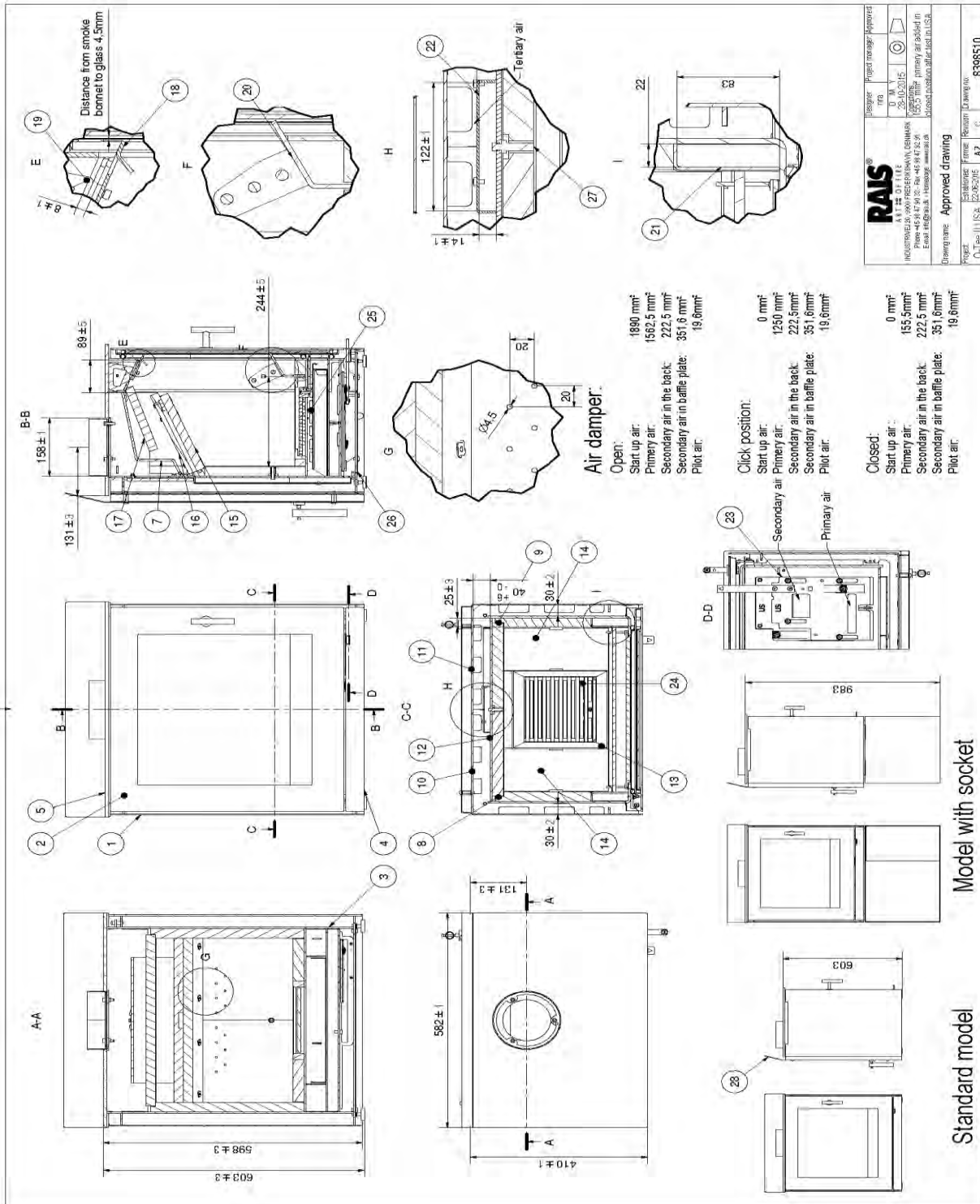
## **VI. - DRAWINGS**

This section contains design drawings for the RAIS A/SQ -TEE II Series Wood-Fired Freestanding Room Heater. The drawings contained in this report are intended to be used as the basis of comparison by OMNI inspection staff to compare critical design elements of production units against those documented at the time of testing. The drawings contained in this report do not necessarily represent the full set of design drawings for this product. A full set of design drawings are kept on file at OMNI.

**Drawing 1**



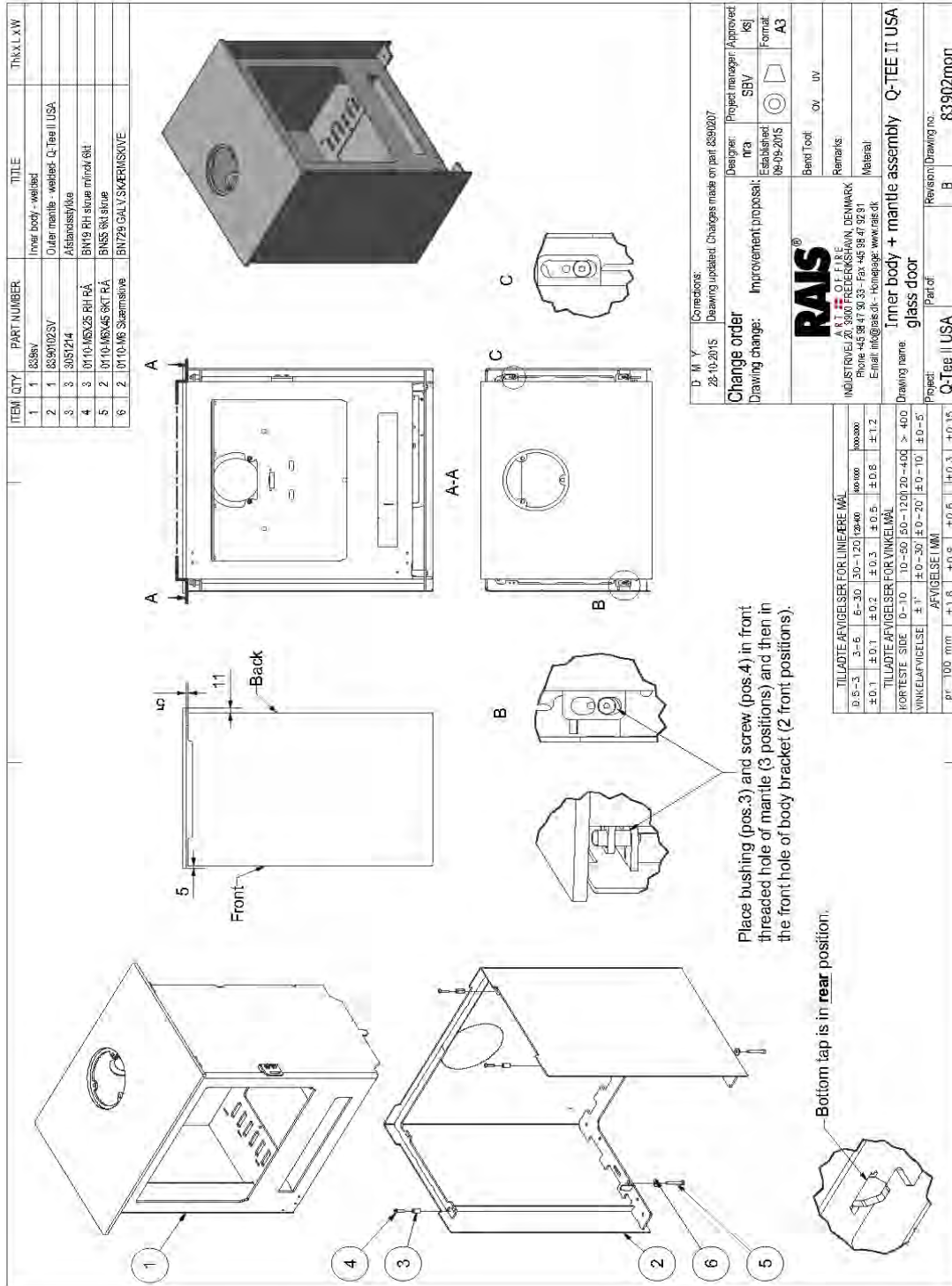
**Drawing 2**

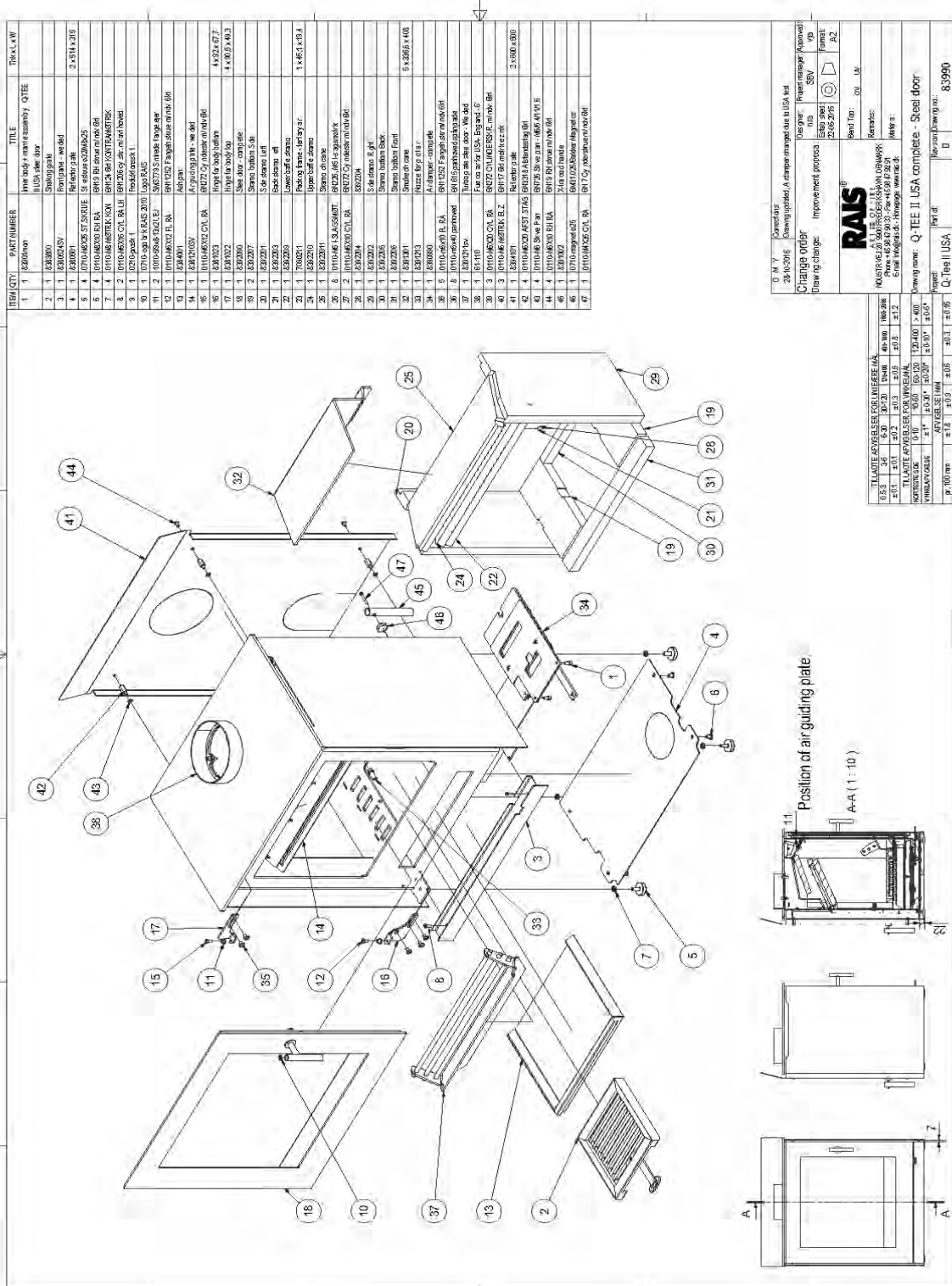


<b>RAIS</b> A/S		Project usage: Approved	
U.S.A.	U.S.A.	U.S.A.	U.S.A.
INDUSTRIALVEJ 20, 7040 FREDERIKSVAJ, DENMARK		25-10-2016	
Phone: +45 46 47 91 22 Fax: +45 46 47 91 24		100% Filter Primary air 20044 in	
Email: raais@raais.com raais@raais.dk		Classification: RAIS-1000-USA	
Drawing name: Approved drawing		Revision: Drawing no: 6398510	
Q-TEE II USA	22082016	AZ	C

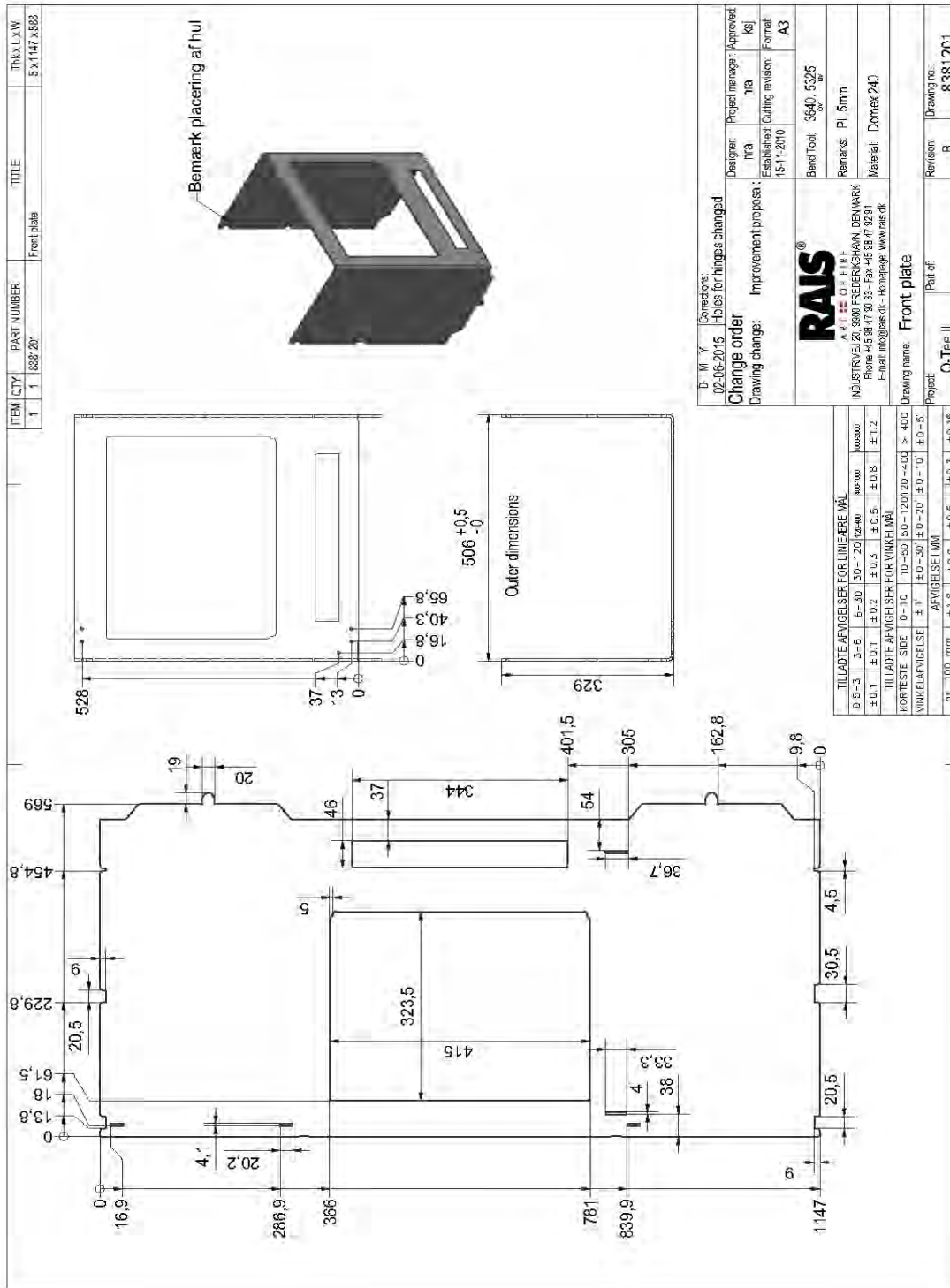








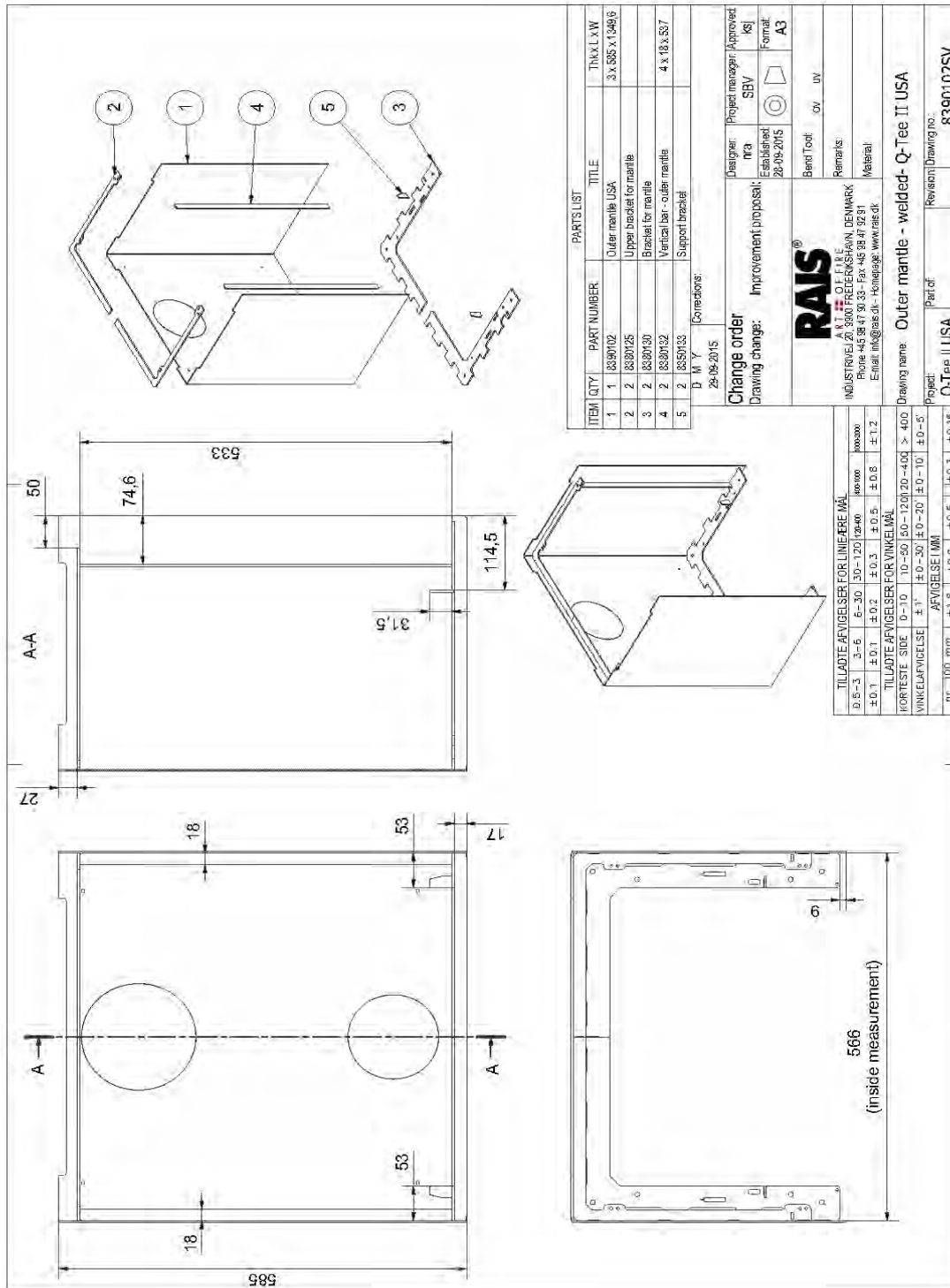
Drawing 6



D. M. Y.	Corrections:	Project manager:	Approved:
02-06-2015	Holes for hinges changed	nra	KSJ
<b>Change order</b>		nra	KSJ
Drawing change: Improvement proposal		Estimated Cutting revision:	Format
		15-11-2010	A3
		Bend Tool:	3640, 5225
		Remarks:	PL 5mm
		Material:	Domex 240
		Project:	Q-TEE II
		Part of:	8381201
		Revision:	B
		Drawing no.:	8381201



**Drawing 7**





**Drawing 8**

ITEM	QTY	PART NUMBER	TITLE	THICK. X.W.
1	4	1010-S-106-14/2	SMS 779 Styrerude langbøjler	
2	1	8330906	Sealing for air damper	
3	1	8350608	Air damper handle	5 x 178,2 x 20
4	6	0110-46-10 FL RÅ	BN11252 Flangeboks nr. mindst 6st.	
5	10	0110-06-Skærmstave	BN729-GALV-SKÆRMSTAVE	
6	1	8330901	Air damper plate	3 x 226,2 x 170,5
7	1	8330902	Air damper fixing plate	4 x 271 x 170,5
8	2	0110-MSK12 FL RÅ	BN11252 Flangeboks nr. mindst 6st.	
9	2	1971223	Fjeder komiplett	

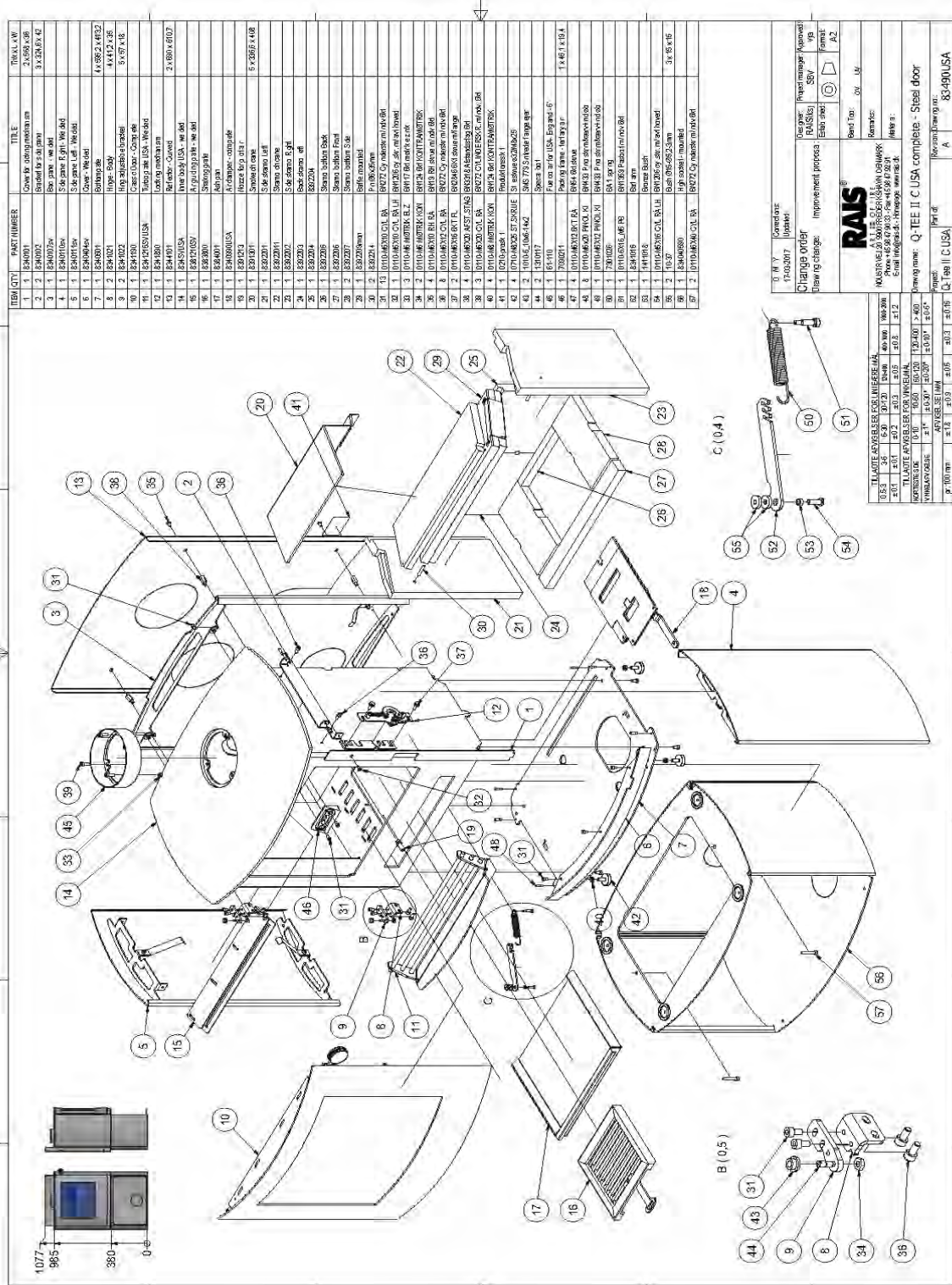
The 2 holes should be centered, when you mount the the spring.

D. M. Y. Corrections:		Designer: nra	Project manager: Approved: KSJ
11-02-2013		Estimated: 24/06-2015	Cutting revision: Format A3
<b>Change order</b>		Bent Tool	
Drawing change: Improvement/proposal:		Remarks:	
<b>RAIS</b> ART OF FIRE			
INDUSTRIVEJ 20, 5900 FREDERIKSHAVN, DENMARK Phone +45 36 47 30 33 - Fax +45 36 47 32 31 Email info@rais.dk - Homepage www.rais.dk			
Drawing name: Air damper - complete		Revision: A	
Project: Q-Tees II USA		Drawing no.: 8330990	

TILLADTE AFVIGELSER FOR LIMEFÆRE VÅL	
0,5-3	3-6
6-30	30-120
120-240	240-300
±0,1	±0,2
±0,3	±0,5
±0,5	±0,8
±1,2	
TILLADTE AFVIGELSER FOR VINKELVÅL	
FORTESTE SIDE 0-10 10-50 50-120 120-400 > 400	
VINKELAFVIGELSE ±1° ±0-30° ±0-20° ±0-10° ±0-5°	
AFVIGELSE I MM	
pt. 100 mm	±1,0 ±0,8 ±0,6 ±0,3 ±0,15



ITEM QTY	PART NUMBER	TITLE	TRUCK A/V#
1	1	1	1
2	2	2	2
3	3	3	3
4	4	4	4
5	5	5	5
6	6	6	6
7	7	7	7
8	8	8	8
9	9	9	9
10	10	10	10
11	11	11	11
12	12	12	12
13	13	13	13
14	14	14	14
15	15	15	15
16	16	16	16
17	17	17	17
18	18	18	18
19	19	19	19
20	20	20	20
21	21	21	21
22	22	22	22
23	23	23	23
24	24	24	24
25	25	25	25
26	26	26	26
27	27	27	27
28	28	28	28
29	29	29	29
30	30	30	30
31	31	31	31
32	32	32	32
33	33	33	33
34	34	34	34
35	35	35	35
36	36	36	36
37	37	37	37
38	38	38	38
39	39	39	39
40	40	40	40
41	41	41	41
42	42	42	42
43	43	43	43
44	44	44	44
45	45	45	45
46	46	46	46
47	47	47	47
48	48	48	48
49	49	49	49
50	50	50	50
51	51	51	51
52	52	52	52
53	53	53	53
54	54	54	54
55	55	55	55
56	56	56	56
57	57	57	57

ITEM QTY	PART NUMBER	TITLE	TRUCK A/V#
1	1	1	1
2	2	2	2
3	3	3	3
4	4	4	4
5	5	5	5
6	6	6	6
7	7	7	7
8	8	8	8
9	9	9	9
10	10	10	10
11	11	11	11
12	12	12	12
13	13	13	13
14	14	14	14
15	15	15	15
16	16	16	16
17	17	17	17
18	18	18	18
19	19	19	19
20	20	20	20
21	21	21	21
22	22	22	22
23	23	23	23
24	24	24	24
25	25	25	25
26	26	26	26
27	27	27	27
28	28	28	28
29	29	29	29
30	30	30	30
31	31	31	31
32	32	32	32
33	33	33	33
34	34	34	34
35	35	35	35
36	36	36	36
37	37	37	37
38	38	38	38
39	39	39	39
40	40	40	40
41	41	41	41
42	42	42	42
43	43	43	43
44	44	44	44
45	45	45	45
46	46	46	46
47	47	47	47
48	48	48	48
49	49	49	49
50	50	50	50
51	51	51	51
52	52	52	52
53	53	53	53
54	54	54	54
55	55	55	55
56	56	56	56
57	57	57	57

ITEM QTY	PART NUMBER	TITLE	TRUCK A/V#
1	1	1	1
2	2	2	2
3	3	3	3
4	4	4	4
5	5	5	5
6	6	6	6
7	7	7	7
8	8	8	8
9	9	9	9
10	10	10	10
11	11	11	11
12	12	12	12
13	13	13	13
14	14	14	14
15	15	15	15
16	16	16	16
17	17	17	17
18	18	18	18
19	19	19	19
20	20	20	20
21	21	21	21
22	22	22	22
23	23	23	23
24	24	24	24
25	25	25	25
26	26	26	26
27	27	27	27
28	28	28	28
29	29	29	29
30	30	30	30
31	31	31	31
32	32	32	32
33	33	33	33
34	34	34	34
35	35	35	35
36	36	36	36
37	37	37	37
38	38	38	38
39	39	39	39
40	40	40	40
41	41	41	41
42	42	42	42
43	43	43	43
44	44	44	44
45	45	45	45
46	46	46	46
47	47	47	47
48	48	48	48
49	49	49	49
50	50	50	50
51	51	51	51
52	52	52	52
53	53	53	53
54	54	54	54
55	55	55	55
56	56	56	56
57	57	57	57

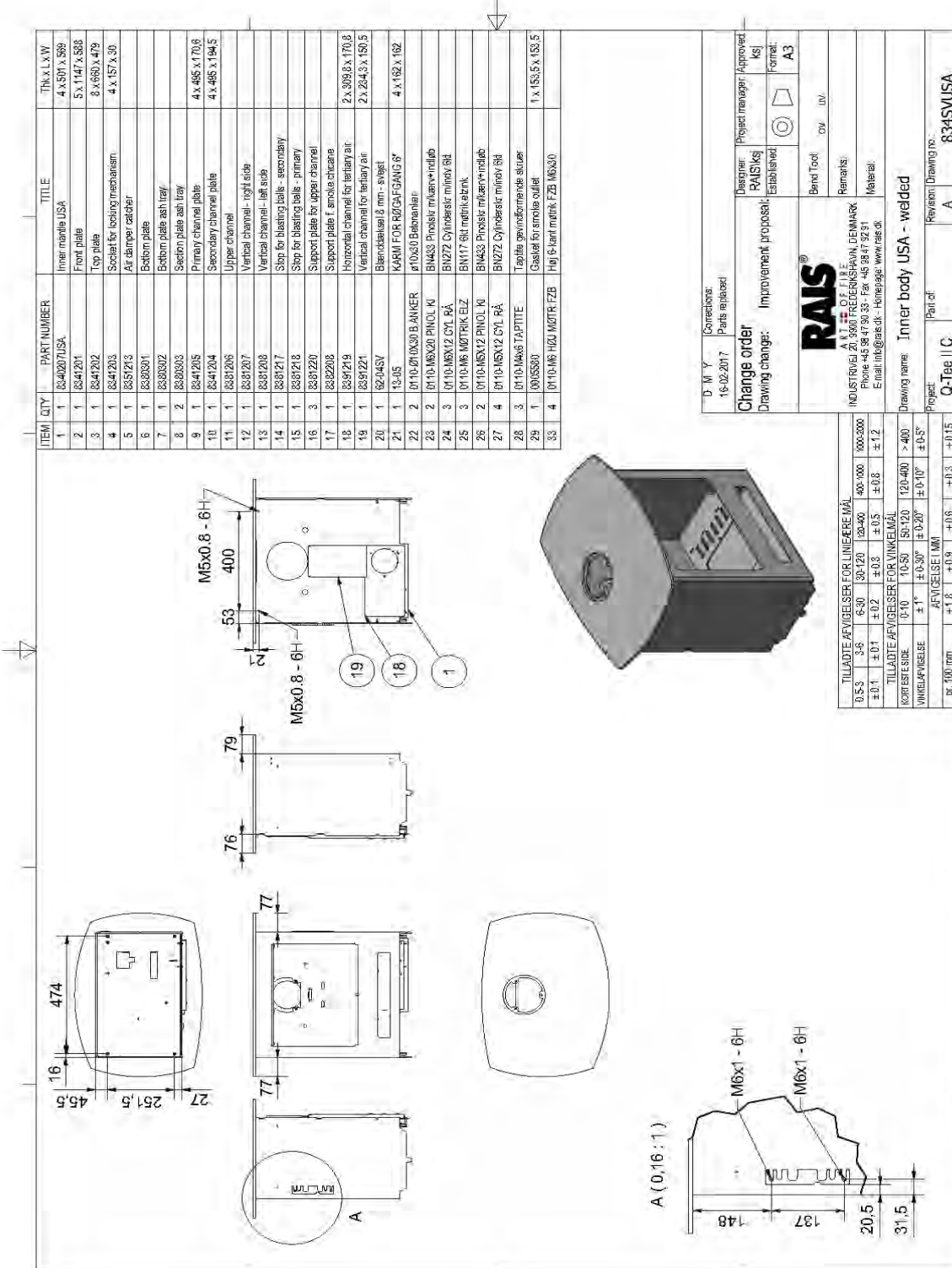
ITEM QTY	PART NUMBER	TITLE	TRUCK A/V#
1	1	1	1
2	2	2	2
3	3	3	3
4	4	4	4
5	5	5	5
6	6	6	6
7	7	7	7
8	8	8	8
9	9	9	9
10	10	10	10
11	11	11	11
12	12	12	12
13	13	13	13
14	14	14	14
15	15	15	15
16	16	16	16
17	17	17	17
18	18	18	18
19	19	19	19
20	20	20	20
21	21	21	21
22	22	22	22
23	23	23	23
24	24	24	24
25	25	25	25
26	26	26	26
27	27	27	27
28	28	28	28
29	29	29	29
30	30	30	30
31	31	31	31
32	32	32	32
33	33	33	33
34	34	34	34
35	35	35	35
36	36	36	36
37	37	37	37
38	38	38	38
39	39	39	39
40	40	40	40
41	41	41	41
42	42	42	42
43	43	43	43
44	44	44	44
45	45	45	45
46	46	46	46
47	47	47	47
48	48	48	48
49	49	49	49
50	50	50	50
51	51	51	51
52	52	52	52
53	53	53	53
54	54	54	54
55	55	55	55
56	56	56	56
57	57	57	57

ITEM QTY	PART NUMBER	TITLE	TRUCK A/V#
1	1	1	1
2	2	2	2
3	3	3	3
4	4	4	4
5	5	5	5
6	6	6	6
7	7	7	7
8	8	8	8
9	9	9	9
10	10	10	10
11	11	11	11
12	12	12	12
13	13	13	13
14	14	14	14
15	15	15	15
16	16	16	16
17	17	17	17
18	18	18	18
19	19	19	19
20	20	20	20
21	21	21	21
22	22	22	22
23	23	23	23
24	24	24	24
25	25	25	25
26	26	26	26
27	27	27	27
28	28	28	28
29	29	29	29
30	30	30	30
31	31	31	31
32	32	32	32
33	33	33	33
34	34	34	34
35	35	35	35
36	36	36	36
37	37	37	37
38	38	38	38
39	39	39	39
40	40	40	40
41	41	41	41
42	42	42	42
43	43	43	43
44	44	44	44
45	45	45	45
46	46	46	46
47	47	47	47
48	48	48	48
49	49	49	49
50	50	50	50
51	51	51	51
52	52	52	52
53	53	53	53
54	54	54	54
55	55	55	55
56	56	56	56
57	57	57	57

ITEM QTY	PART NUMBER	TITLE	TRUCK A/V#
1	1	1	1
2	2	2	2
3	3	3	3
4	4	4	4
5	5	5	5
6	6	6	6
7	7	7	7
8	8	8	8
9	9	9	9
10	10	10	10
11	11	11	11
12	12	12	12
13	13	13	13
14	14	14	14
15	15	15	15
16	16	16	16
17	17	17	17
18	18	18	18
19	19	19	19
20	20	20	20
21	21	21	21
22	22	22	22
23	23	23	23
24	24	24	24
25	25	25	25
26	26	26	26
27	27	27	27
28	28	28	28
29	29	29	29
30	30	30	30
31	31	31	31
32	32	32	32
33	33	33	33
34	34	34	34
35	35	35	35
36	36	36	36
37	37	37	37
38	38	38	38
39	39	39	39
40	40	40	40
41	41	41	41
42	42	42	42
43	43	43	43
44	44	44	44
45	45	45	45
46	46	46	46
47	47	47	47
48	48	48	48
49	49	49	49
50	50	50	50
51	51	51	51
52	52	52	52
53	53	53	53
54	54	54	54
55	55	55	55
56	56	56	56
57	57	57	57

ITEM QTY	PART NUMBER	TITLE	TRUCK A/V#
1	1	1	1
2	2	2	2
3	3	3	3
4	4	4	4
5	5	5	5
6	6	6	6
7	7	7	7
8	8	8	8
9	9	9	9
10	10	10	10
11	11	11	11
12	12	12	12

Drawing 10



Change order  
 Drawing change: Improvement proposal

Project manager: Approved  
 RAIS K/S  
 Established

Format: A3

Band Tool: CW INV

Remarks:

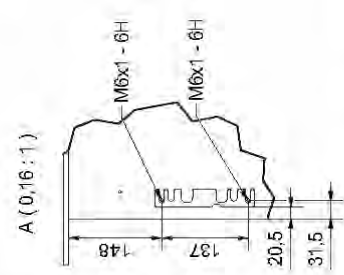
Material:

INDUSTRIEL 20 3900 FREDERIKSHAVN DENMARK  
 Phone +45 98 4790 33 Fax +45 38 47 9291  
 Email info@rais.dk Homepage www.rais.dk

Drawing name: Inner body USA - welded

Project: Q-TEE II C  
 Revision: Drawing No. 834SVUSA

Tolerance table for LINEERE MÅL and VINKELMÅL.

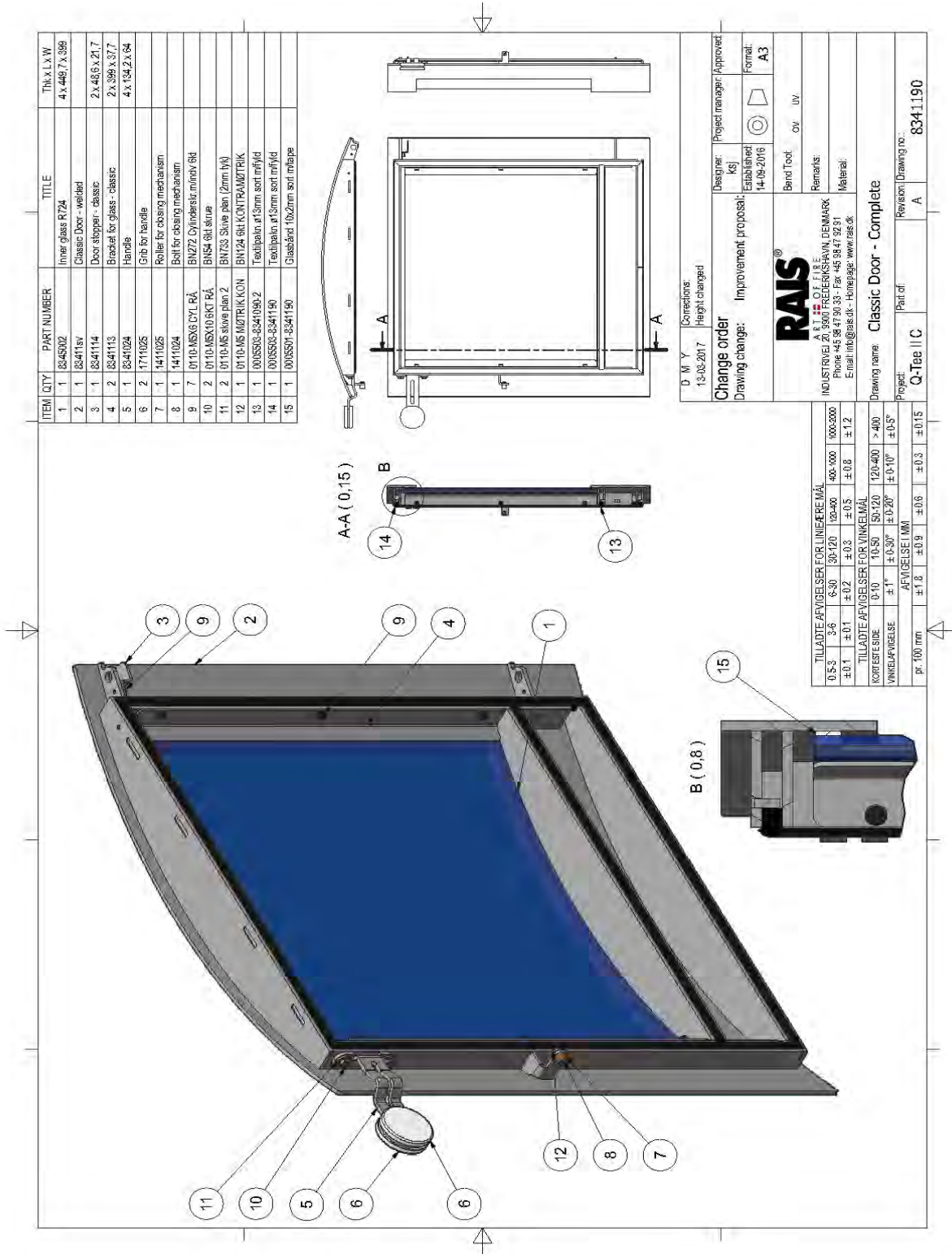




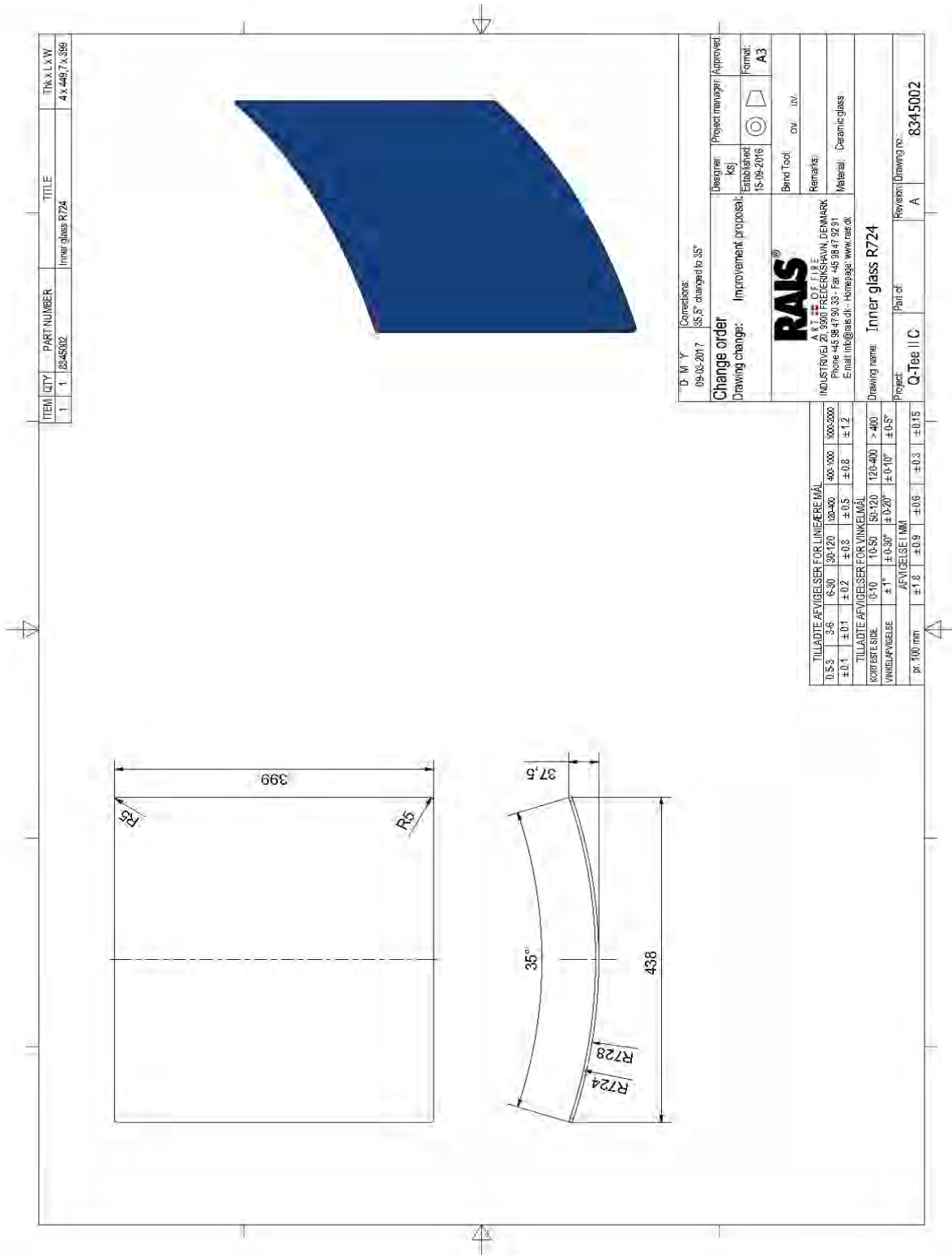




**Drawing 12**



**Drawing 13**



ITEM	QTY	PART NUMBER	TITLE	TRK x L x W
1	1	0345002	Inner glass R724	4 x 448.7 x 358

D M Y  
 09-03-2017  
 Corrections: 35.5° changed to 35°

Change order  
 Drawing change: Improvement proposal

Designer: KSJ  
 Established: 15-09-2016  
 Band Tool: OV UV

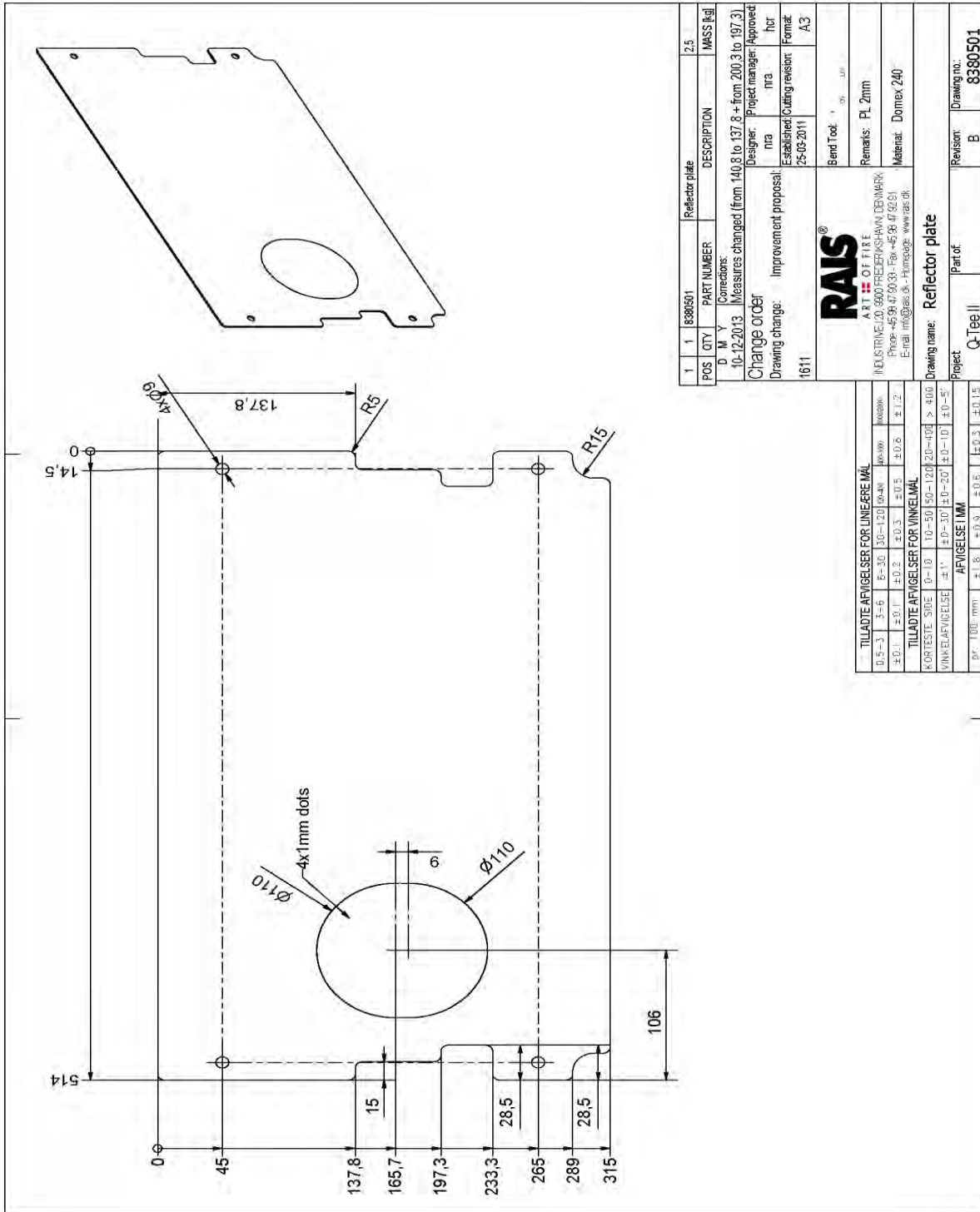
Project manager: Approved  
 Format: A3

Remarks:  
 Material: Ceramic glass

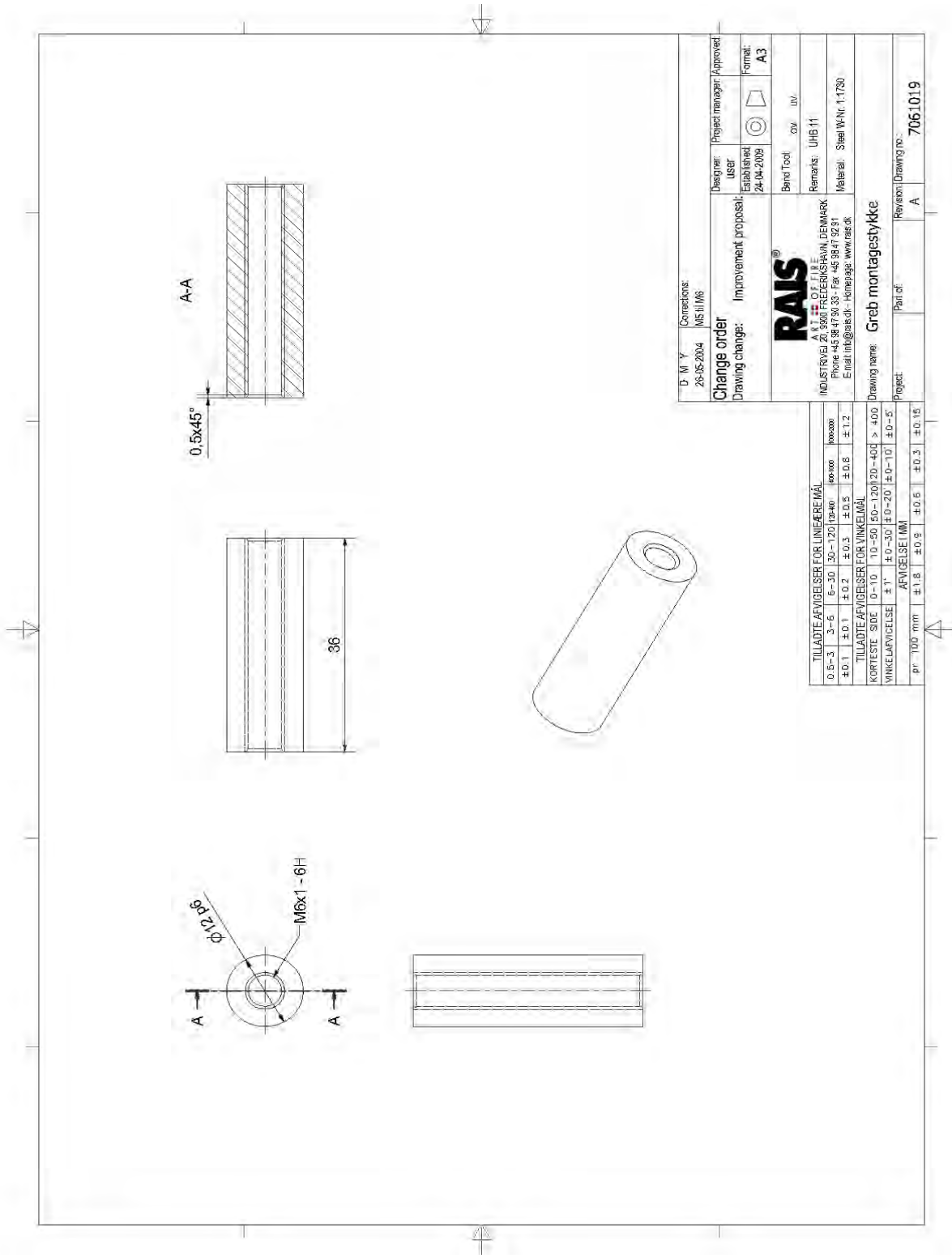
Project: Q-TEE II C  
 Revision: Drawing No. 8345002

TILLADTE AFVIGELSE FOR LINJEFREMME		400-1000	1000-2000
0,5-5	3-6	30-120	120-400
± 0,1	± 0,2	± 0,3	± 0,8
TILLADTE AFVIGELSE FOR VINKELMÅL		120-400	> 400
0-10	10-30	30-120	120-400
± 1°	± 0,30°	± 0,20°	± 0,10°
VINKELAFVIGELSE		AFVIGELSE I MM	
pr. 100 mm	± 1,8	± 0,9	± 0,6
			± 0,3
			± 0,15

Drawing 14



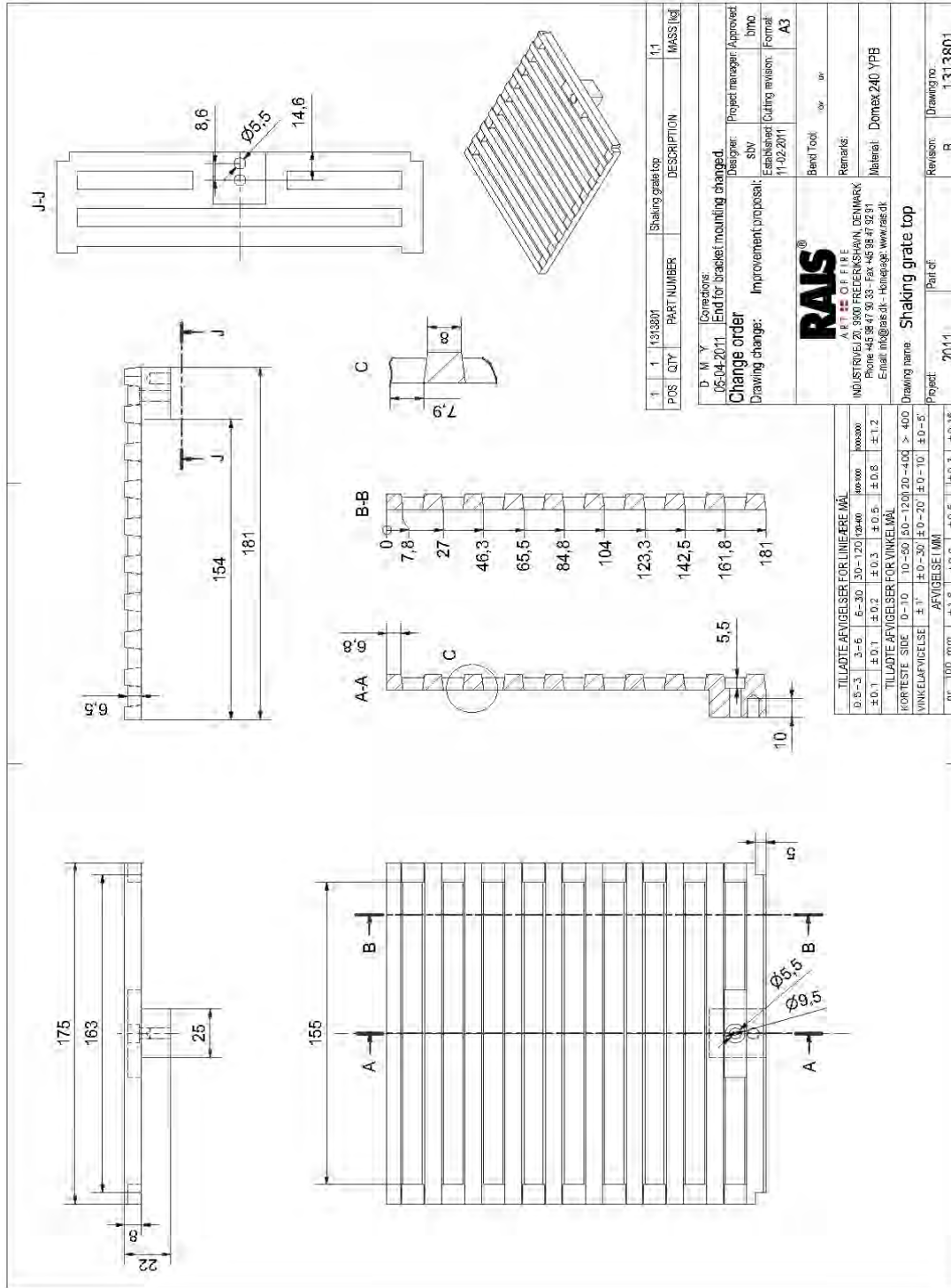
**Drawing 15**



D M Y	Connections:	MS H1 M6	Designer:	Project manager:	Approved:
26-05-2004			User:		
	Change order:	Improvement proposal:	Established:	24-04-2009	Format:
					A3
			Band Tool:	ov	uv
			Remarks:	UHB 11	
			Material:	Steel W-Nr. 1.1720	
			Drawing name:	Greb montagsstykke	
			Project:	Part of:	Revision: Drawing no.:
				A	706.1019

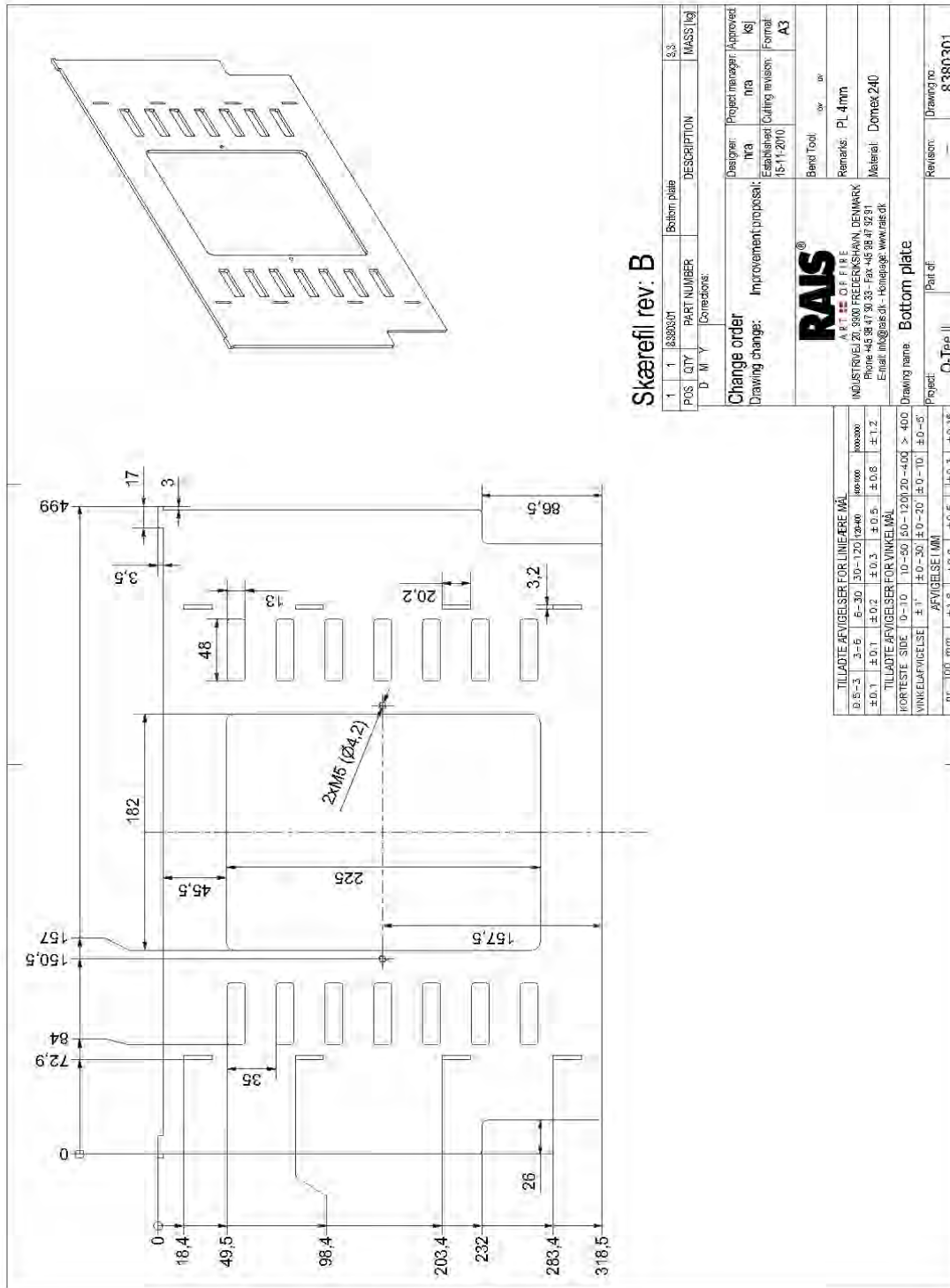
TILLADTE AFVIGELSER FOR LINEÆRE MÅL	
D.S.-3	3-6
6-30	30-120
120-300	300-1000
1000	1000
±0.1	±0.1
±0.2	±0.3
±0.5	±0.8
±1.2	±1.2
TILLADTE AFVIGELSER FOR VINKELMÅL	
KORTESTE SIDE	0-10
10-50	50-120
120-400	400
VINKELAFVIGELSE	±1'
±0-30	±0-20
±0-10	±0-5
AFVIGELSE I MM	
pr. 100 mm	±1.8
	±0.9
	±0.6
	±0.3
	±0.15

**Drawing 16**





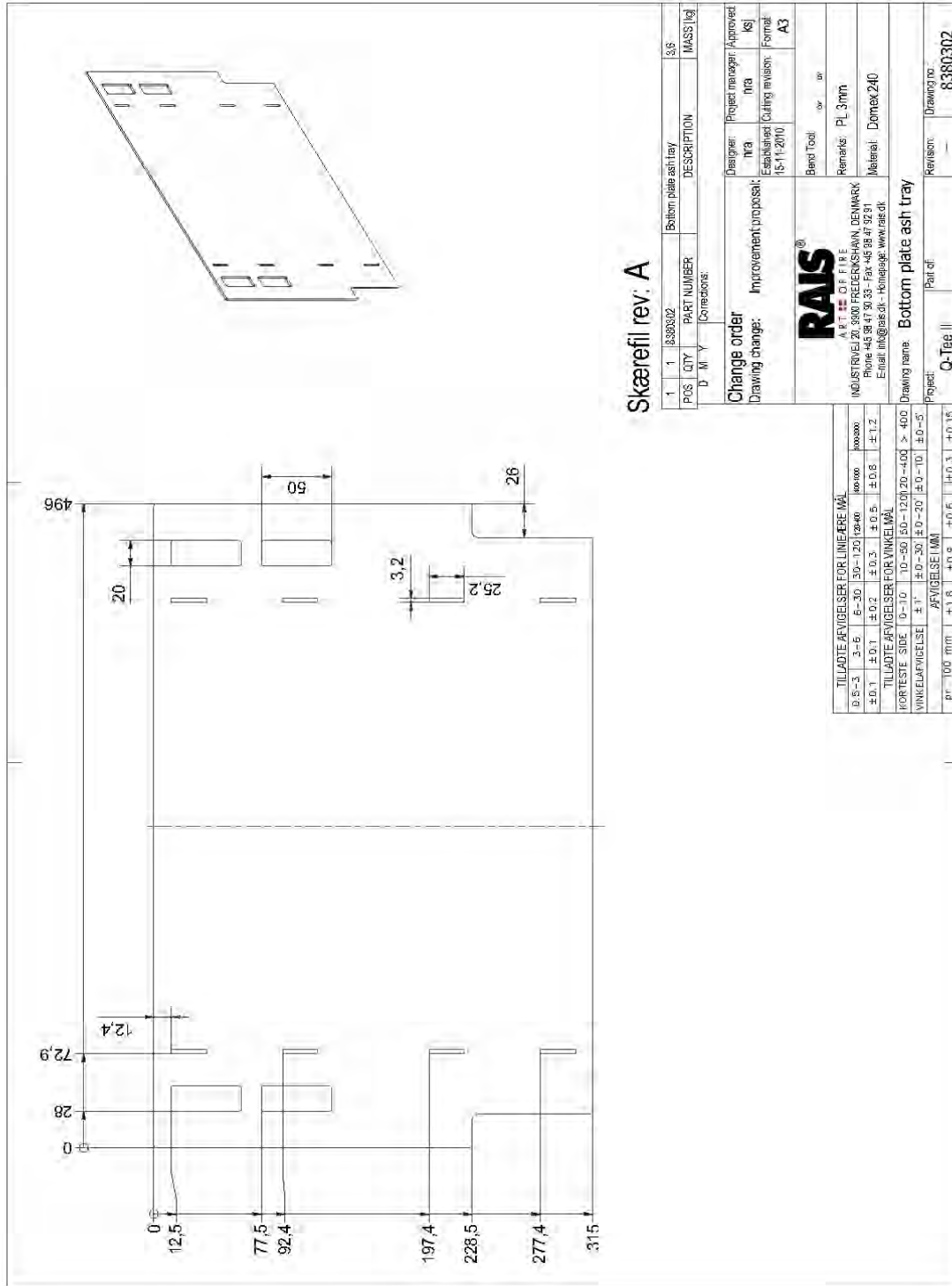
Drawing 17



Skærefil rev. B

POS	QTY	PART NUMBER	DESCRIPTION	MASS [kg]
1	1	8380301	Bottom plate	8,3
D M Y Corrections:				
<b>Change order</b>				
Drawing change: Improvement/proposal				
Designer:	nra			
Project manager:	Approved: KSJ			
Estimated Cutting revision:	15-11-2010			
Format:	A3			
<b>RAIS</b>				
A PART OF FIRE				
INDUSTRIVEJ 20, 5000 FREDERIKSHAVN, DENMARK				
Phone +45 38 47 52 33 - Fax +45 38 47 52 31				
E-mail: info@rais.dk - Homepage: www.rais.dk				
Drawing name: Bottom plate				
Project: Q-TEE II				
Part of				Drawing no.:
8380301				8380301

**Drawing 18**



**Skærefil rev: A**

POS	QTY	PART NUMBER	DESCRIPTION	MASS [kg]
1	1	8380302	Bottom plate ash tray	3,6

Change order: Improvement/proposal  
 Drawing change: nra  
 Project manager: Approved: nra  
 Estimated Cutting revision: Formid: A3  
 15-11-2010

**RAIS**  
 A.P.T. OF FIRE  
 INDUSTRIVEJ 20, 5000 FREDERIKSHAVN, DENMARK  
 Phone: +45 38 47 92 33 - Fax: +45 38 47 92 31  
 E-mail: info@rais.dk - Homepage: www.rais.dk

Remarks: PL 3mm  
 Material: Domex 240

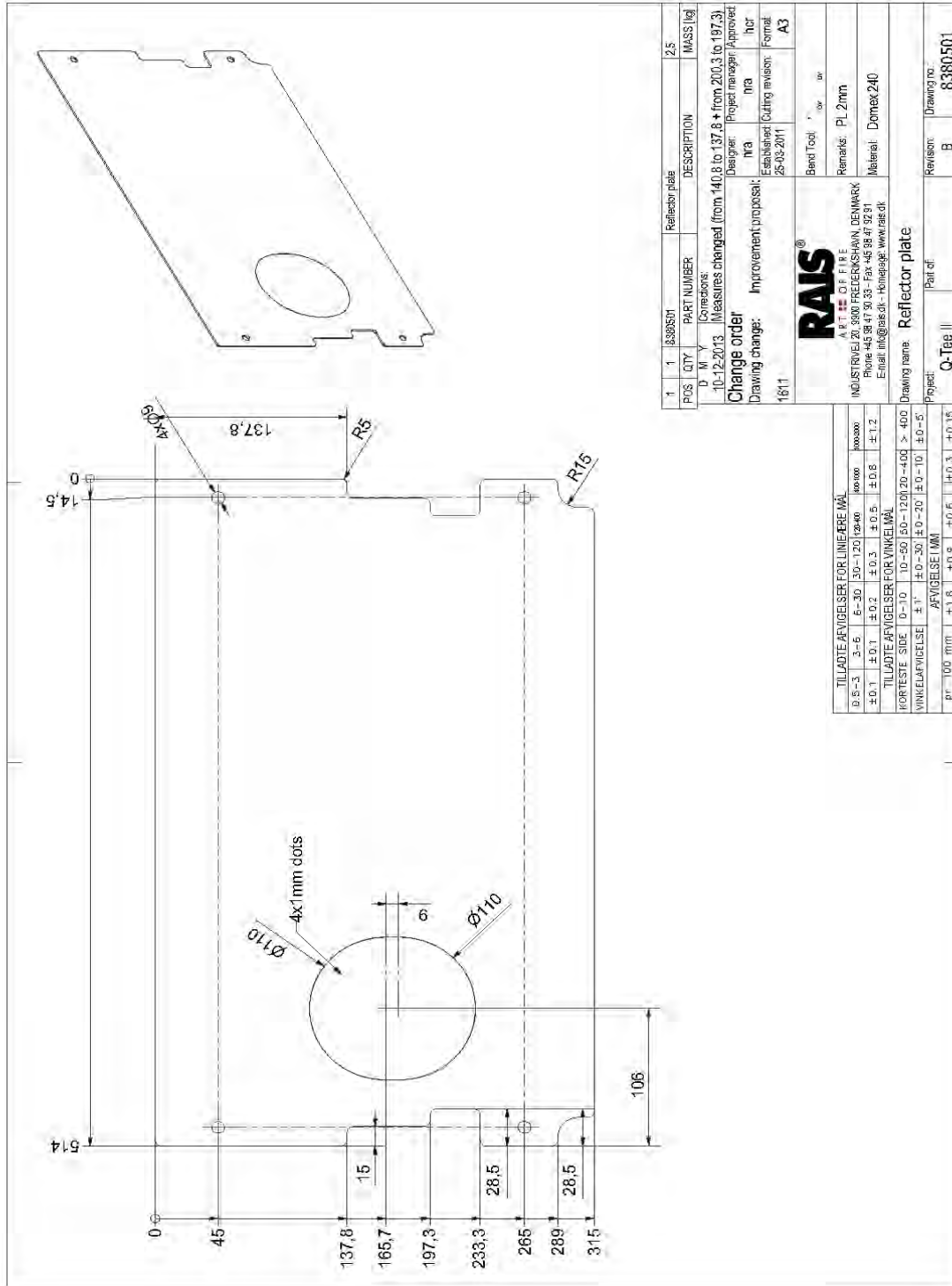
Design: nra  
 Project manager: Approved: nra  
 Estimated Cutting revision: Formid: A3  
 15-11-2010

Bend Tool: or, or

Revision: Drawing no.: 8380302

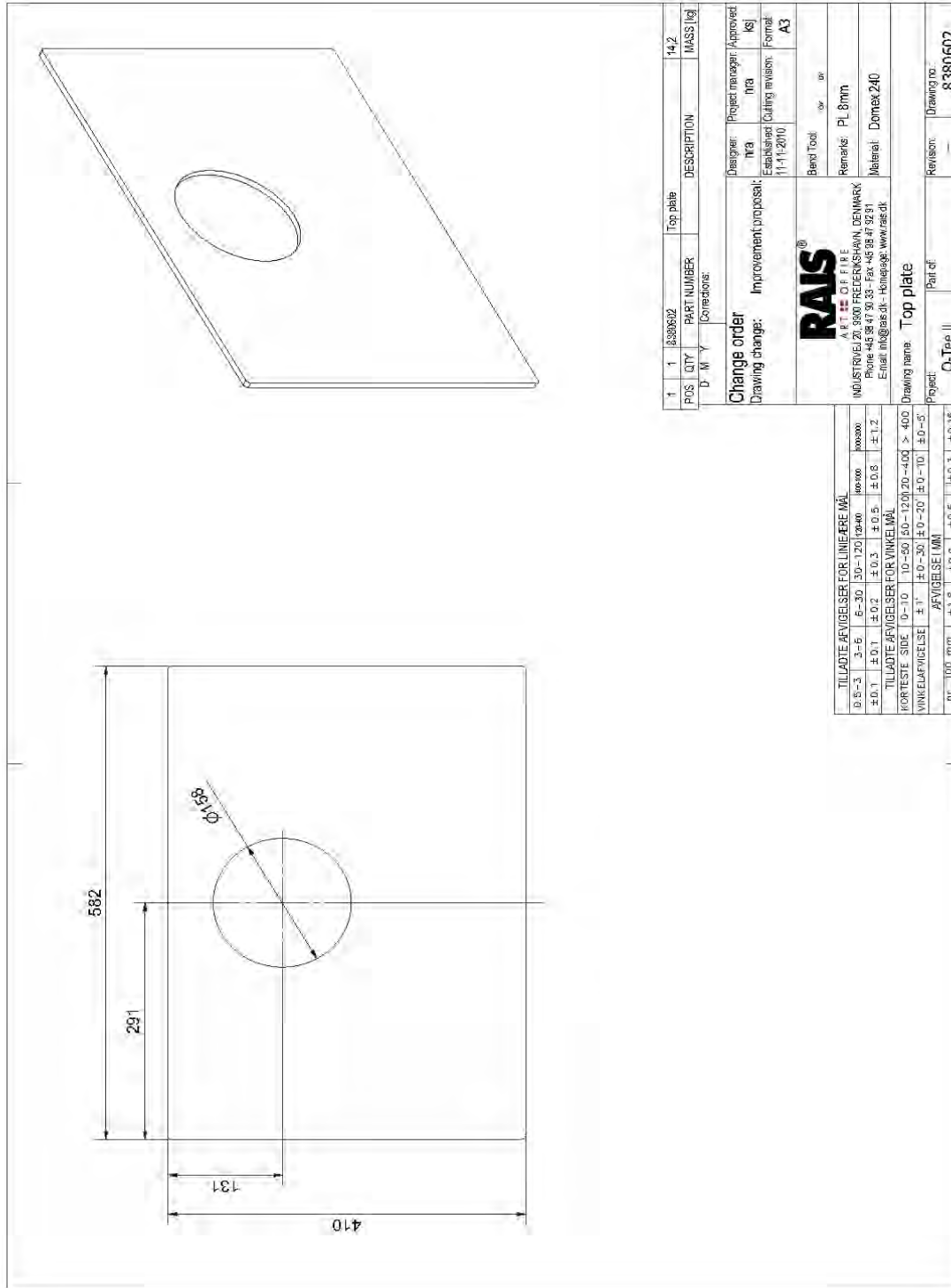
Project: Q-TEE II Part of: Bottom plate ash tray

**Drawing 19**

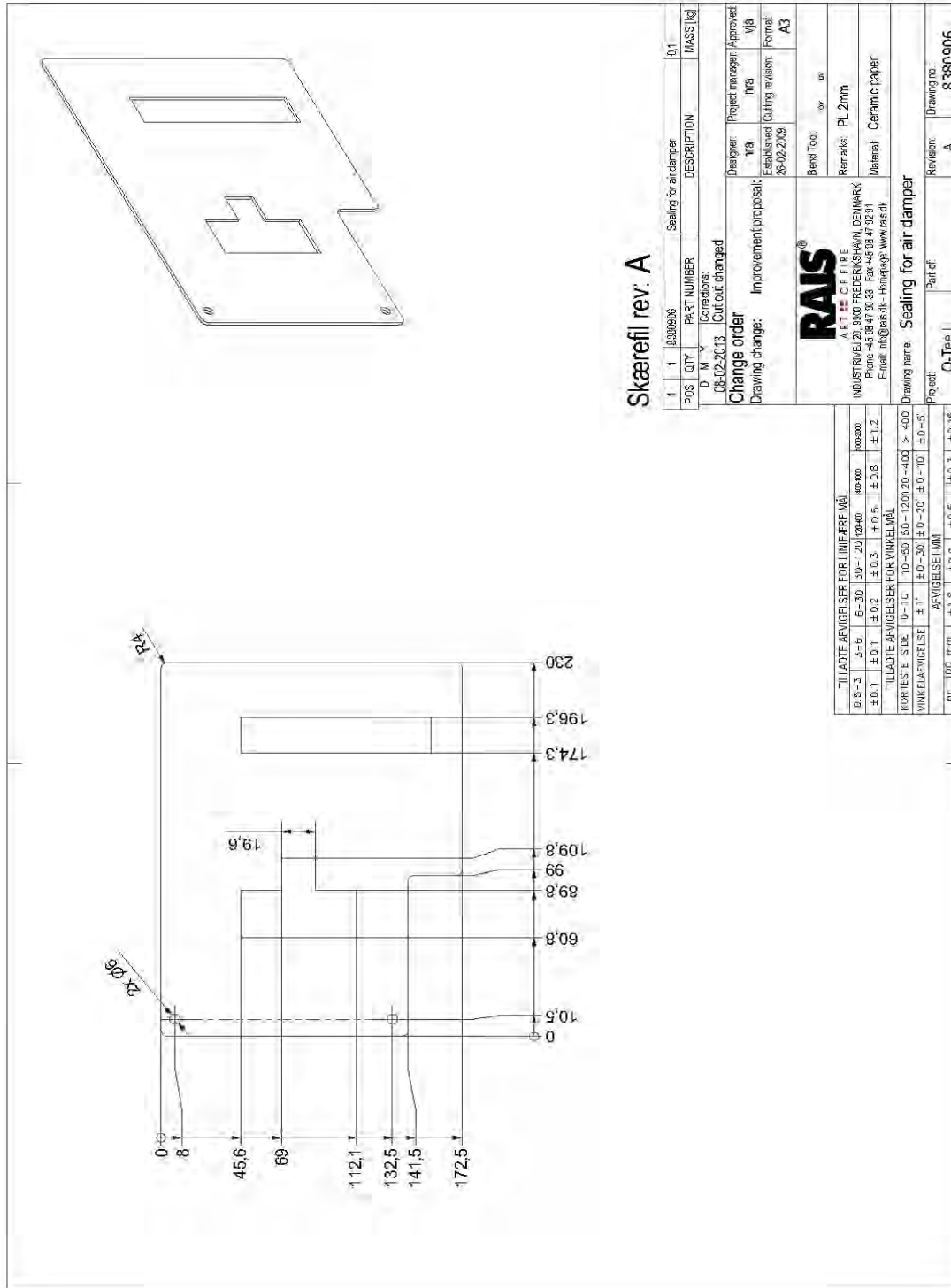




**Drawing 20**



Drawing 21



Skærefil rev. A

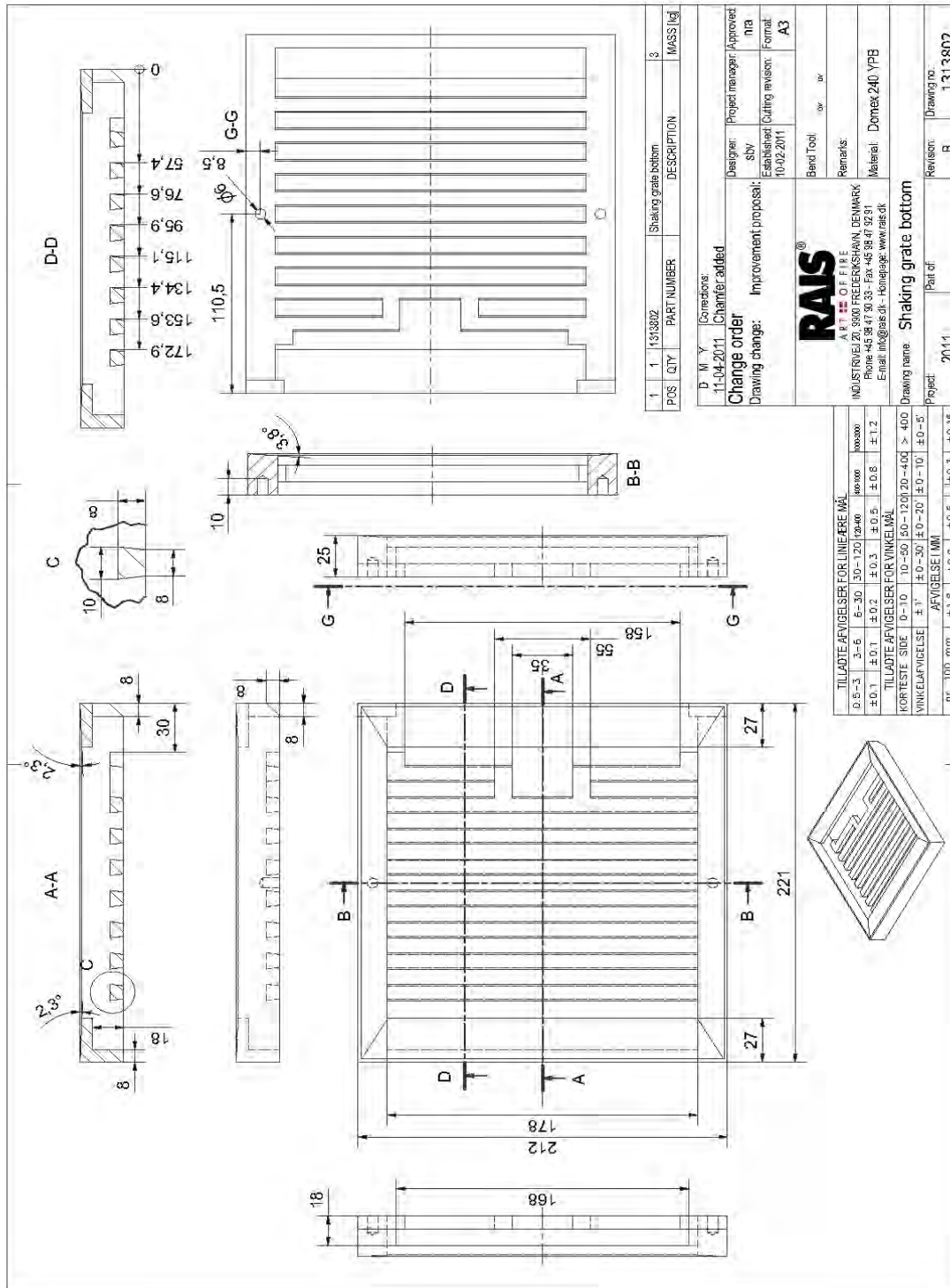
POS	QTY	PART NUMBER	DESCRIPTION	UNIT	MASS [kg]
1	1	2382686	Sealing for air damper	B01	

D M Y Corrections:  
 08-02-2013 Cut out changed  
**Change order**  
 Drawing change: Improvement (proposal)  
 Designer: nra  
 Project manager: Approved: nra  
 Estimated Cutting revision: Formid: A3  
 26/02/2008  
 Bend Tool: or, or  
 Remarks: PL 2mm  
 Material: Ceramic paper

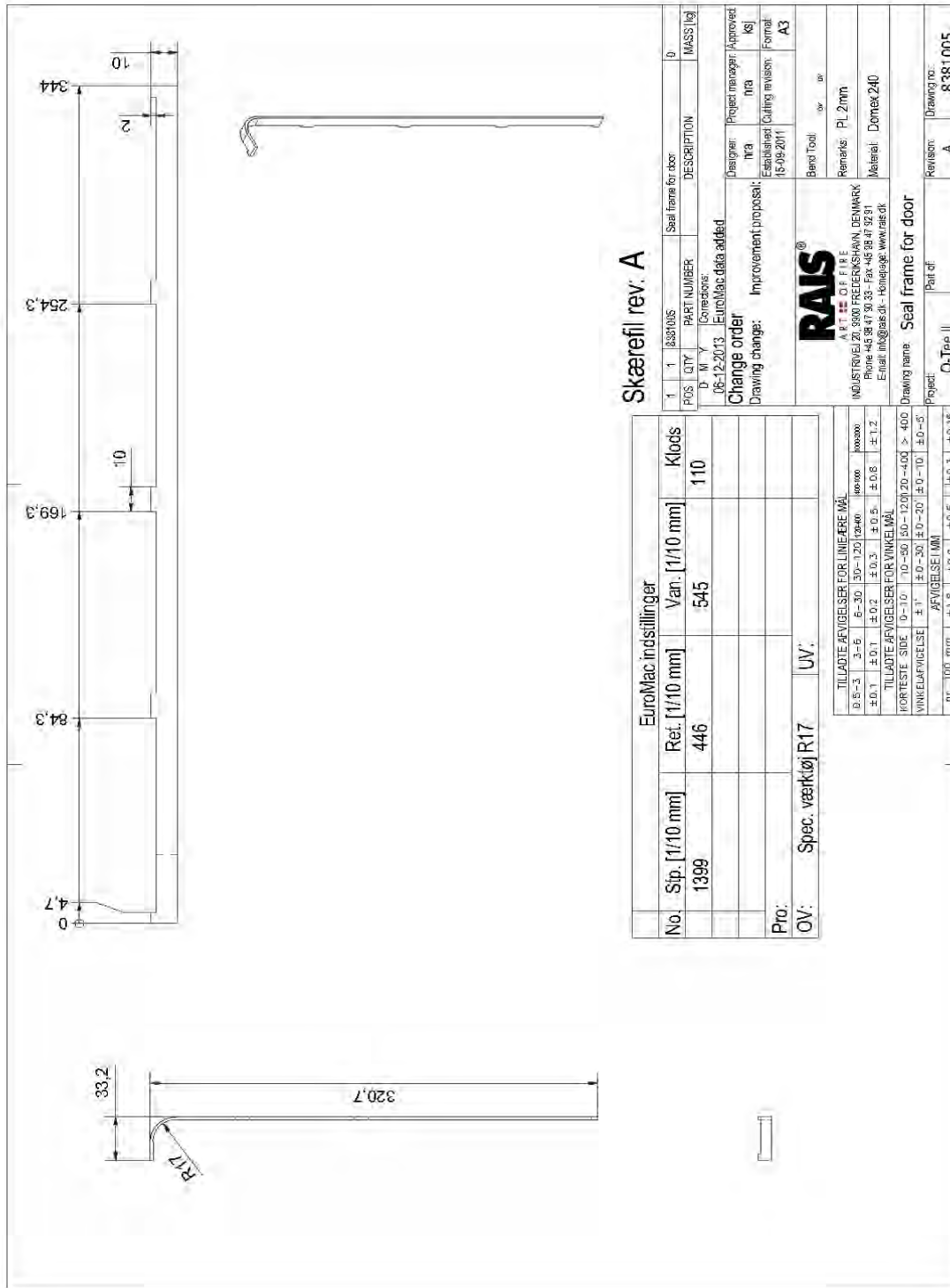
**RAIS**  
 A.P.T. OF FIRE  
 INDUSTRIVEJ 20, 5000 FREDERIKSHAVN, DENMARK  
 Phone: +45 38 47 30 33 - Fax: +45 38 47 32 31  
 E-mail: info@rais.dk - Homepage: www.rais.dk

Drawing name: Sealing for air damper  
 Project: Q-TEE II Part of: Drawing no.: 8380906  
 Revision: A

**Drawing 22**



**Drawing 23**



**Skærefil rev. A**

POS	QTY	PART NUMBER	DESCRIPTION	MASS [kg]
1	1	238100S	Seal frame for door	0

D M Y Corrections:  
 06-12-2013 EuroMac data added  
**Change order**  
 Drawing change: Improvement proposal  
 Designer: nra  
 nra  
 Estimated Cutting revision: Formaf  
 A3  
 Project manager: Approved  
 15/09/2011  
 Formaf  
 A3

No.	Stp. [1/10 mm]	Ret. [1/10 mm]	Van. [1/10 mm]	Klods
1399		446	545	110

EuroMac indstillinger  
 Pro.:  
 OV: Spec. værktøj R17 UV:

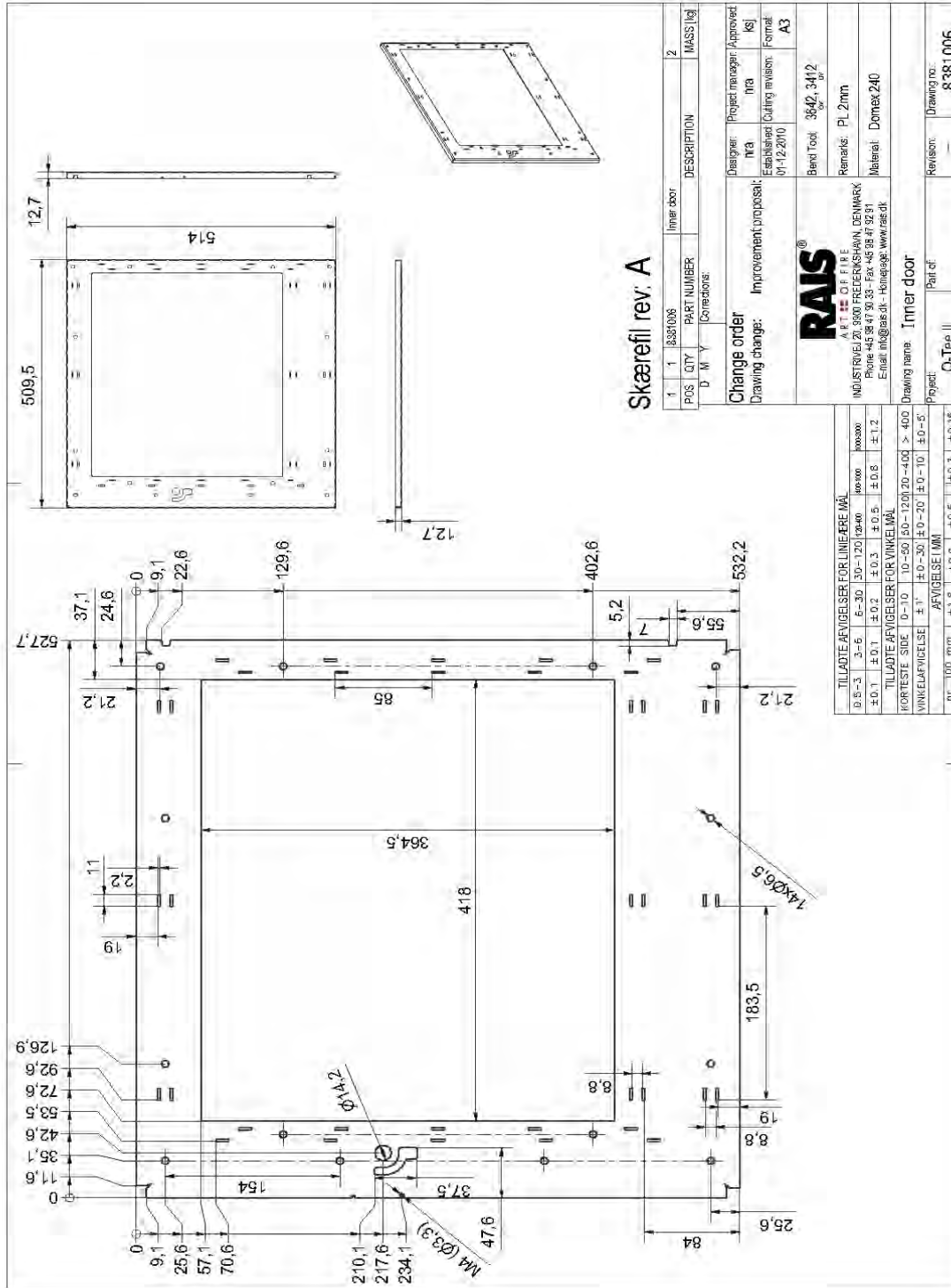
TILLADE AFVIGELSER FOR LIMEFØRE VÅL	
0.5-3	3-6
6-30	30-120
±0.1	±0.2
±0.3	±0.5
±0.8	±1.2

TILLADE AFVIGELSER FOR VINKELVÅL  
 FORTESTE SIDE: 0-10 10-30 30-120 120-400 > 400  
 VINKELAFVIGELSE: ±1° ±0-30 ±0-20' ±0-10' ±0-5'  
 AFVIGELSE [mm]

PT	100 mm	±0.8	±0.9	±0.6	±0.3	±0.15
----	--------	------	------	------	------	-------

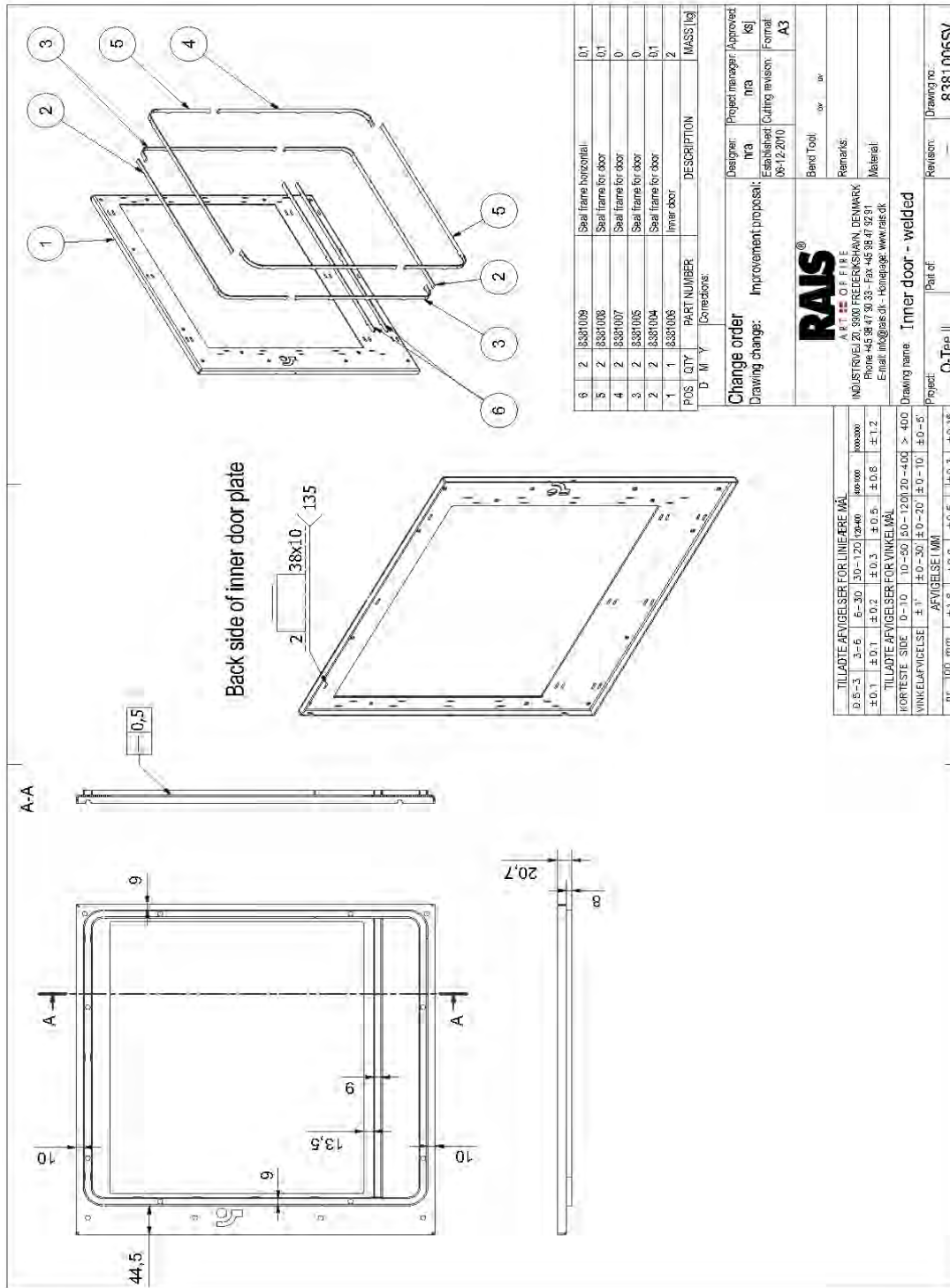
RAIS  
 A.P.T. OF FIRE  
 INDUSTRIVEJ 20, 5900 FREDERIKSHAVN, DENMARK  
 Phone +45 38 47 32 33 - Fax +45 38 47 32 31  
 E-mail info@rais.dk - Homepage www.rais.dk  
 Drawing name: Seal frame for door  
 Project: Q-TEE II Part of: 838100S

Drawing 24

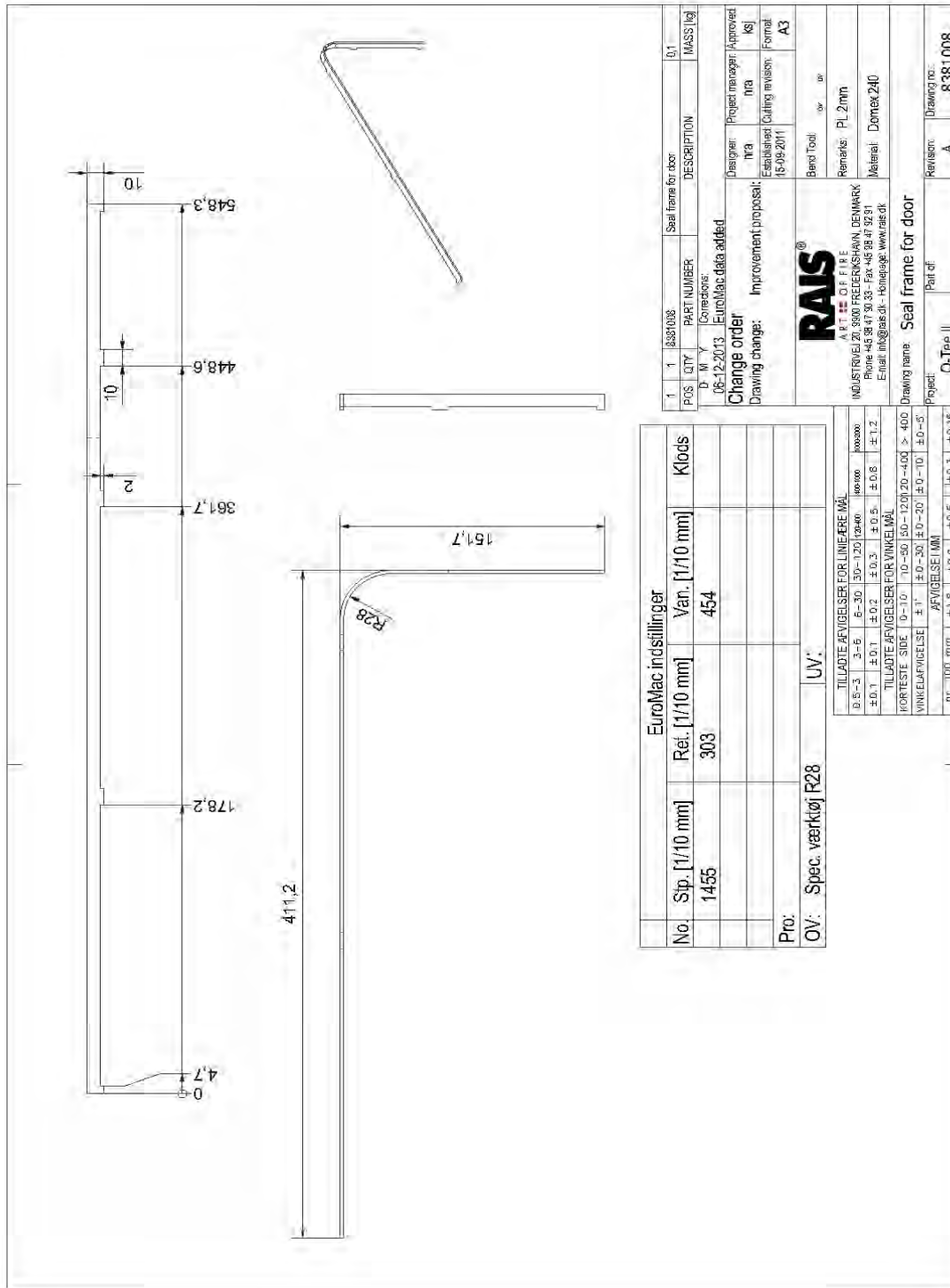


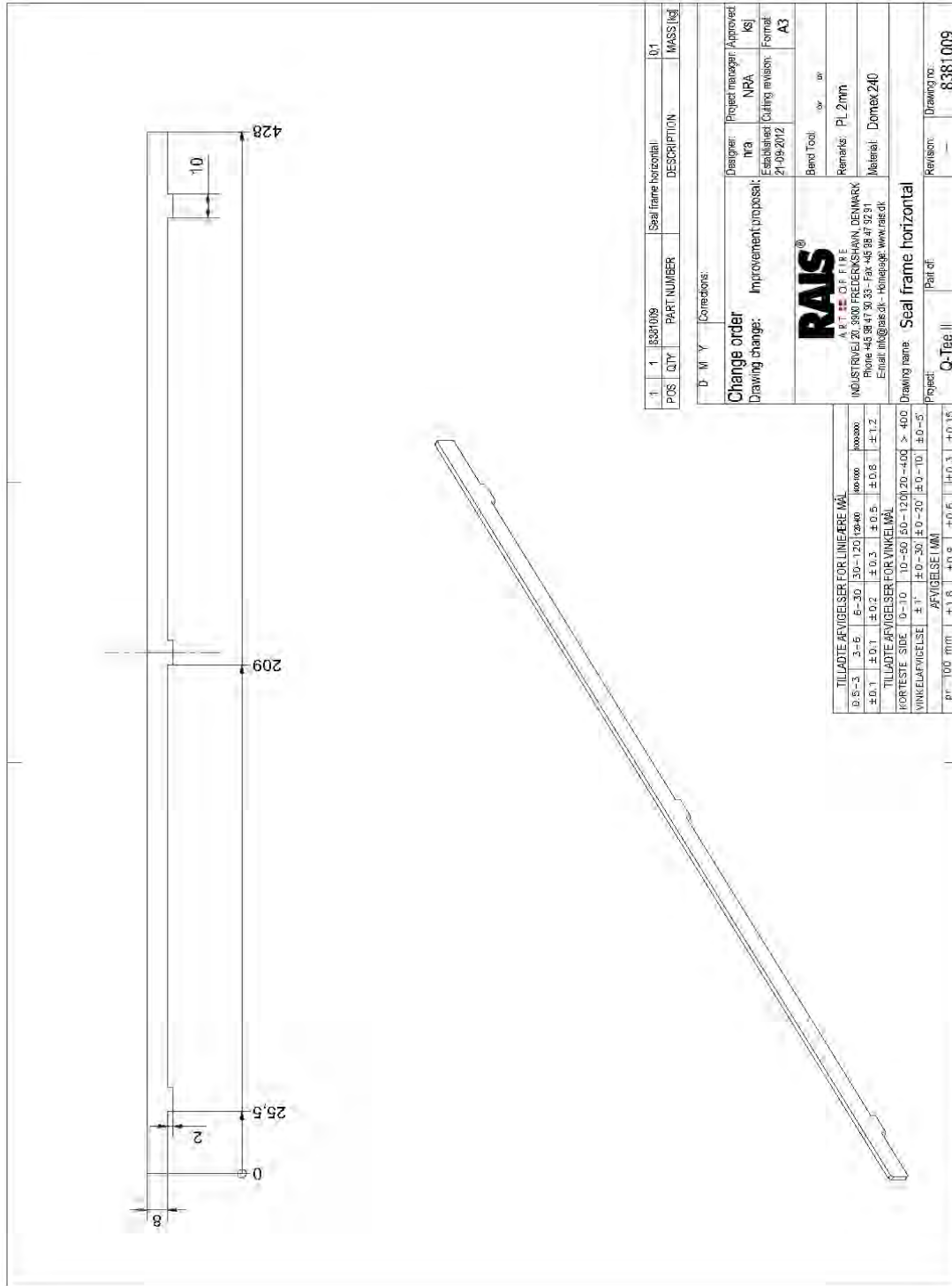


**Drawing 25**



**Drawing 26**





POS	QTY	PART NUMBER	DESCRIPTION	MASS [kg]
1	1	8381009	Seal frame horizontal	0,1

D	M	Y	Corrections:

<b>Change order</b>	Improvement/proposal	Designer: nra	Project manager: Approved: KSJ
<b>Drawing change:</b>		Established: 21/09/2012	Checked/revision: Formid: A3

<b>RAIS</b> <sup>®</sup>	Bend Tool	or	or
A.P.T. OF FIRE	Remarks:	PI 2mm	
INDUSTRIVEJL 20, 8900 FREDERIKSHAVN, DENMARK	Material:	Domex 240	
Phone +45 38 47 32 33 - Fax +45 38 47 32 31			
Email: info@rais.dk - Homepage: www.rais.dk			

Project:	Q-TEE III	Part of:	
Revision:		Drawing no.:	8381009

TILLADTE AFVIGELSER FOR LIMEFÆRE VÅL	
0,5"-3"	±0,1
3"-6"	±0,1
6"-30"	±0,2
30"-120" (max)	±0,3
±0,1	±0,1
±0,1	±0,2
±0,1	±0,3
±0,1	±0,5
±0,1	±0,8
±0,1	±1,2

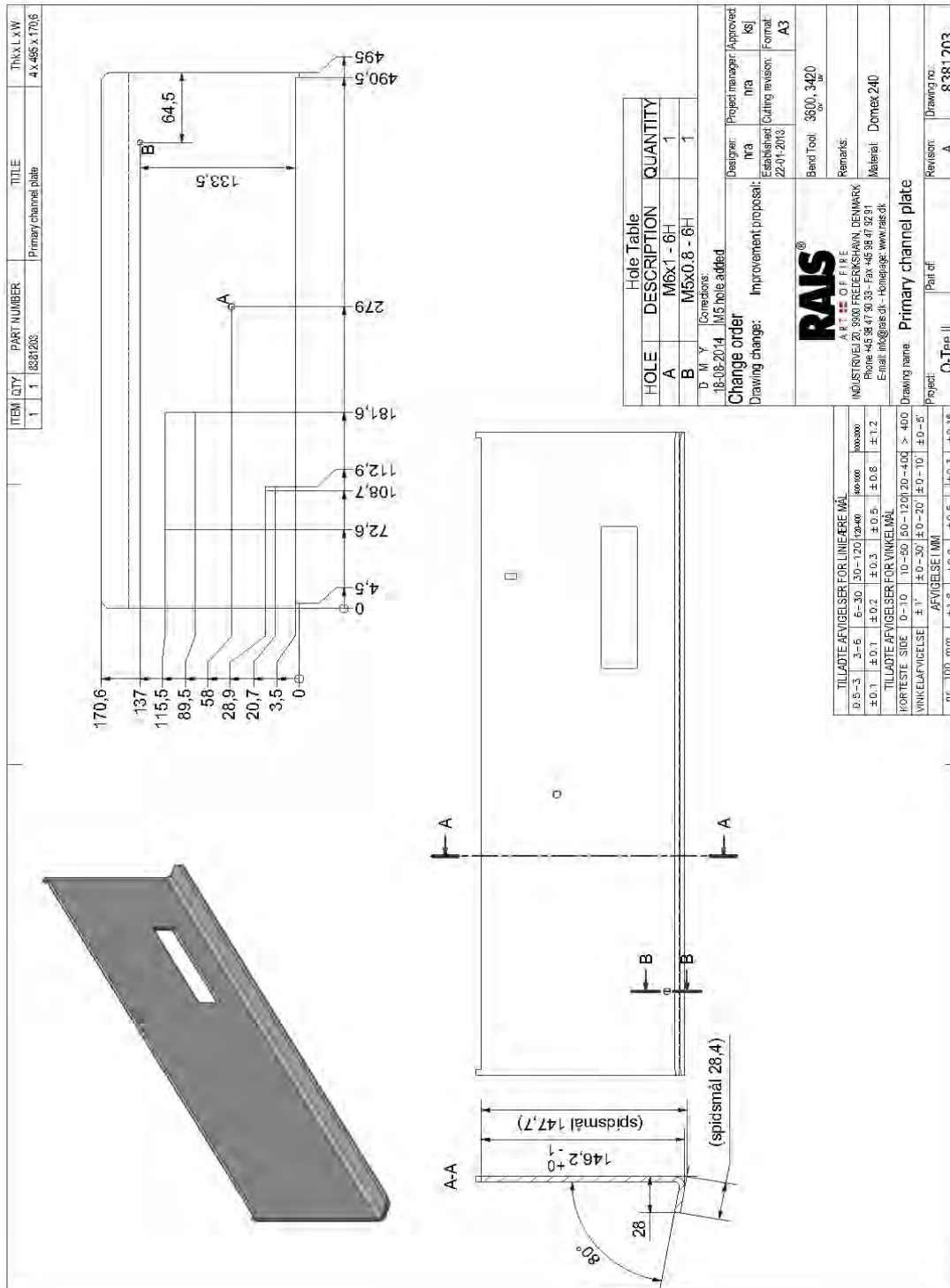
TILLADTE AFVIGELSER FOR VINKELVÅL	
FORTESTE SIDE	0-10
10-50	±0,2
50-120	±0,3
120-200	±0,4
> 400	±0,5

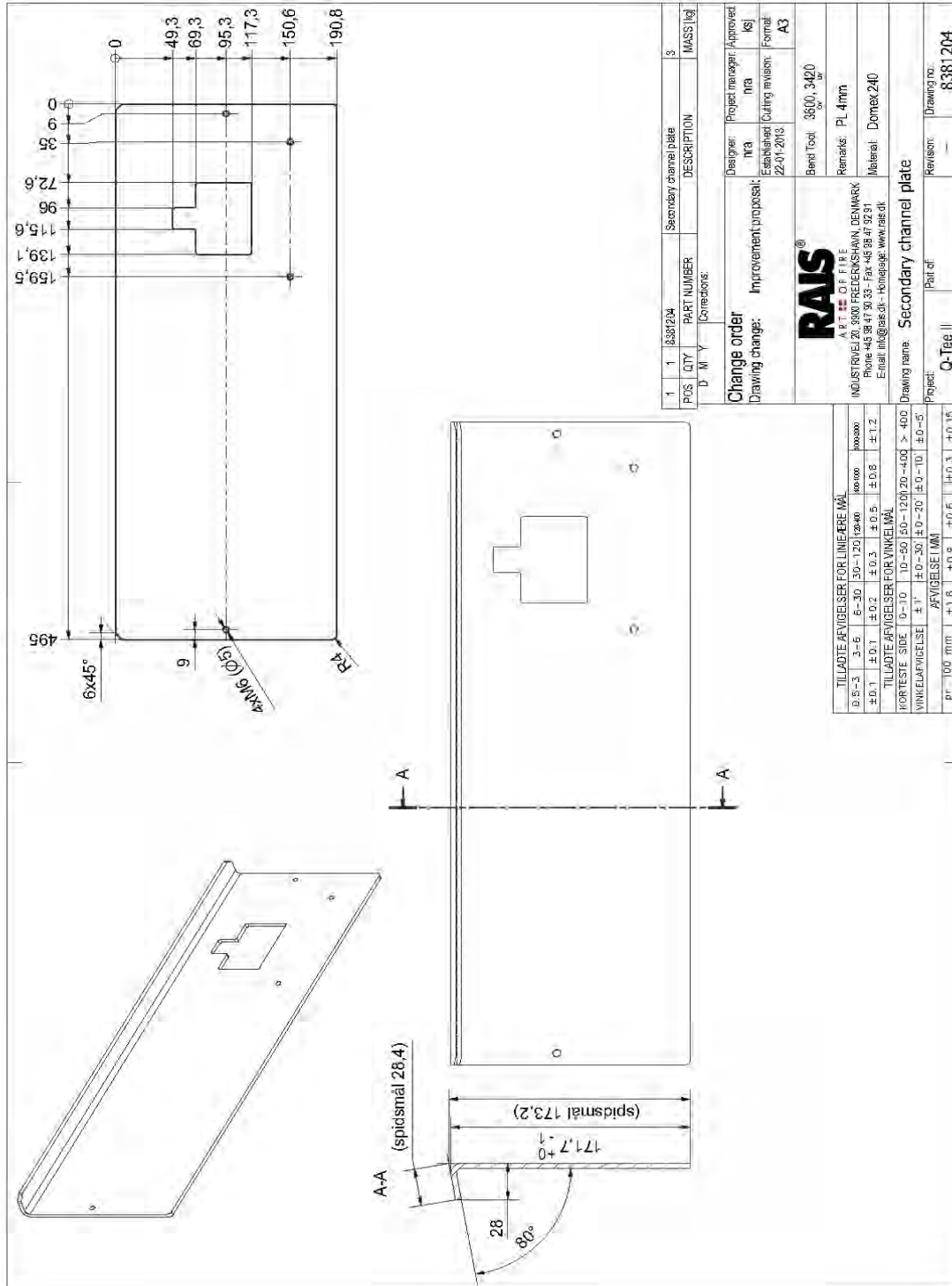
VINKELAFVIGELSE	
±1"	±0,2
±0,2-30"	±0,2
30"-100"	±0,3
100"-200"	±0,4
200"-400"	±0,5
400"-800"	±0,6
800"-1600"	±0,8
1600"-3200"	±1,2



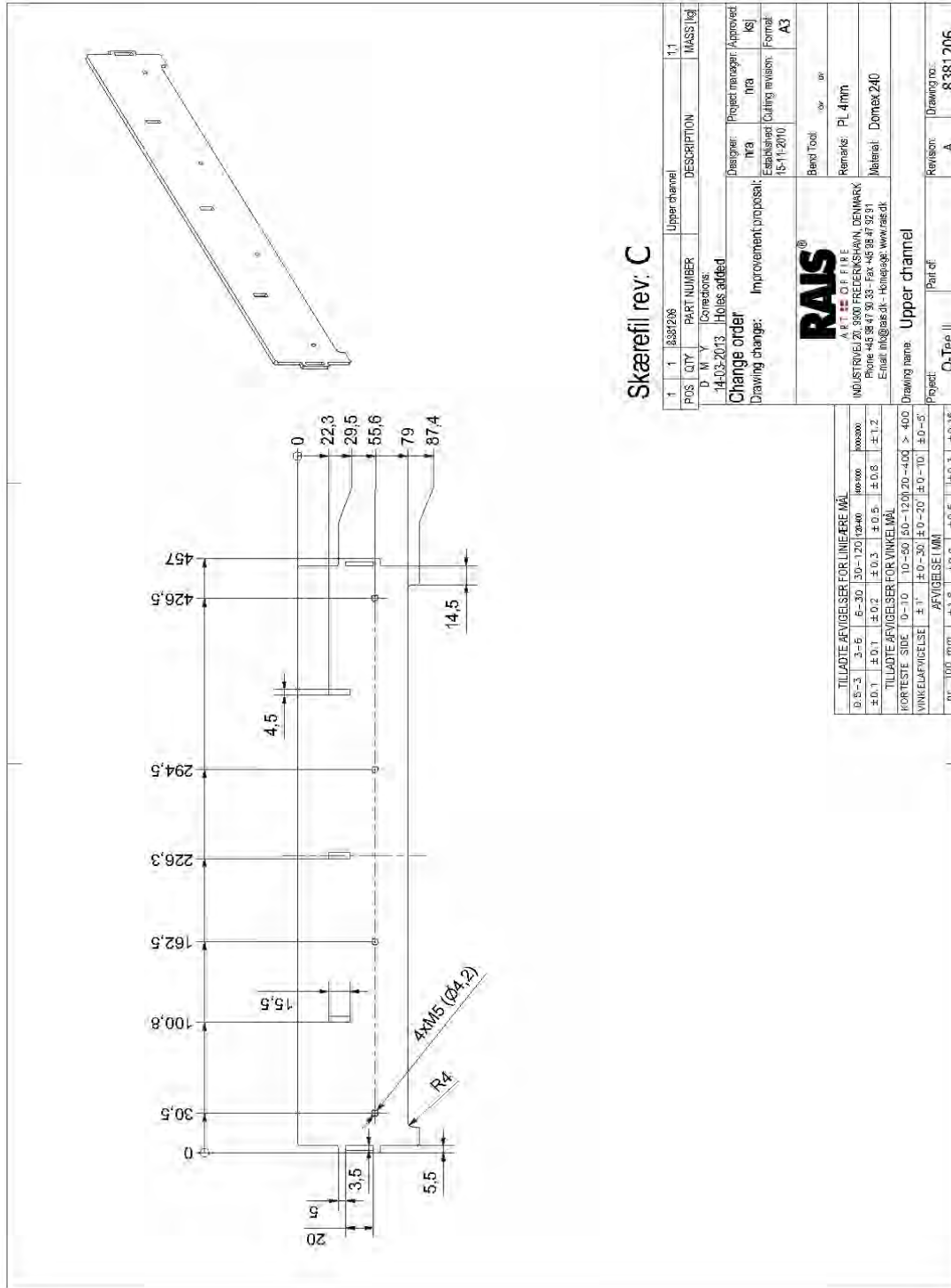
**Drawing 28**



**Drawing 29**



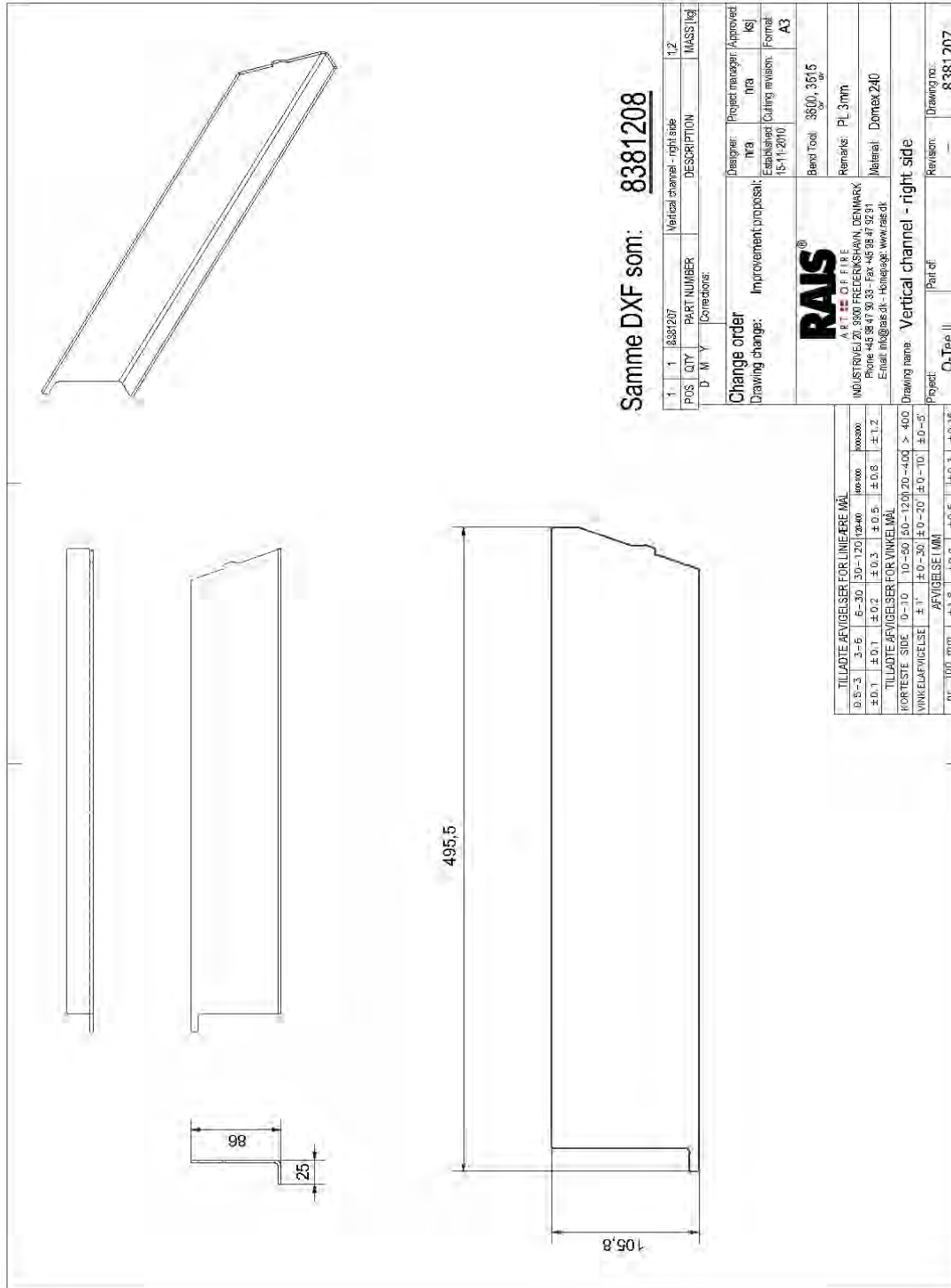
Drawing 30



Skærefil rev: C

POS	QTY	PART NUMBER	DESCRIPTION	MASS [kg]
1	1	2387286	Upper channel	1,1
D M Y Corrections: 14-02-2013 Holes added				
Change order				
Drawing change: Improvement/proposal:				
Designer:	hpa	Project manager:	Approved:	KSJ
Estimated	15-11-2010	Cutting revision:	Format:	A3
Bent Tool: <b>RAIS</b>				
Remarks: PI 4mm				
Material: Domex 240				
Drawing name: Upper channel				
Project: Q-TEE II Part of: 8381206				
Revision: A Drawing no.:				

**Drawing 31**





Drawing 33

POS	QTY	PART NUMBER	DESCRIPTION	MASS [kg]
7	2	0710-MSX8-CYL-RA	BNT Cylindrisk minikv. 8lt.	0
8	1	0710-MSX2-PINCL-RI	BN483 Proskir minikv+modlb	0
5	1	0710-MSX20-CYL-RA	MSX20 cylindisk skruer	0
4	1	8383804	Distance plate for shaking grate	0
3	1	8383803	Handle for shaking grate	0.1
2	1	1318801	Shaking grate top	1.1
1	1	1318802	Shaking grate bottom	3

D M Y  
 Corrections:  
 24-04-2013 Set screws/nuts replaced with M5 screw  
 Designer: nra  
 Project manager: Approved: nra KS  
 Change order: Improvement proposal: Estimated Cutting revision: Format: A3  
 Drawing change: 07/02/2011

**RAIS**  
 ART OF FIRE  
 INDUSTRIVEJ 20, 5000 FREDERIKSHAVN, DENMARK  
 Phone +45 36 47 30 33 Fax +45 36 47 32 31  
 Email info@rais.dk - Homepage www.rais.dk

Drawing name: Shaking grate  
 Project: Q-TEE II Part of: 8383800  
 Revision: A Drawing no.: 8383800

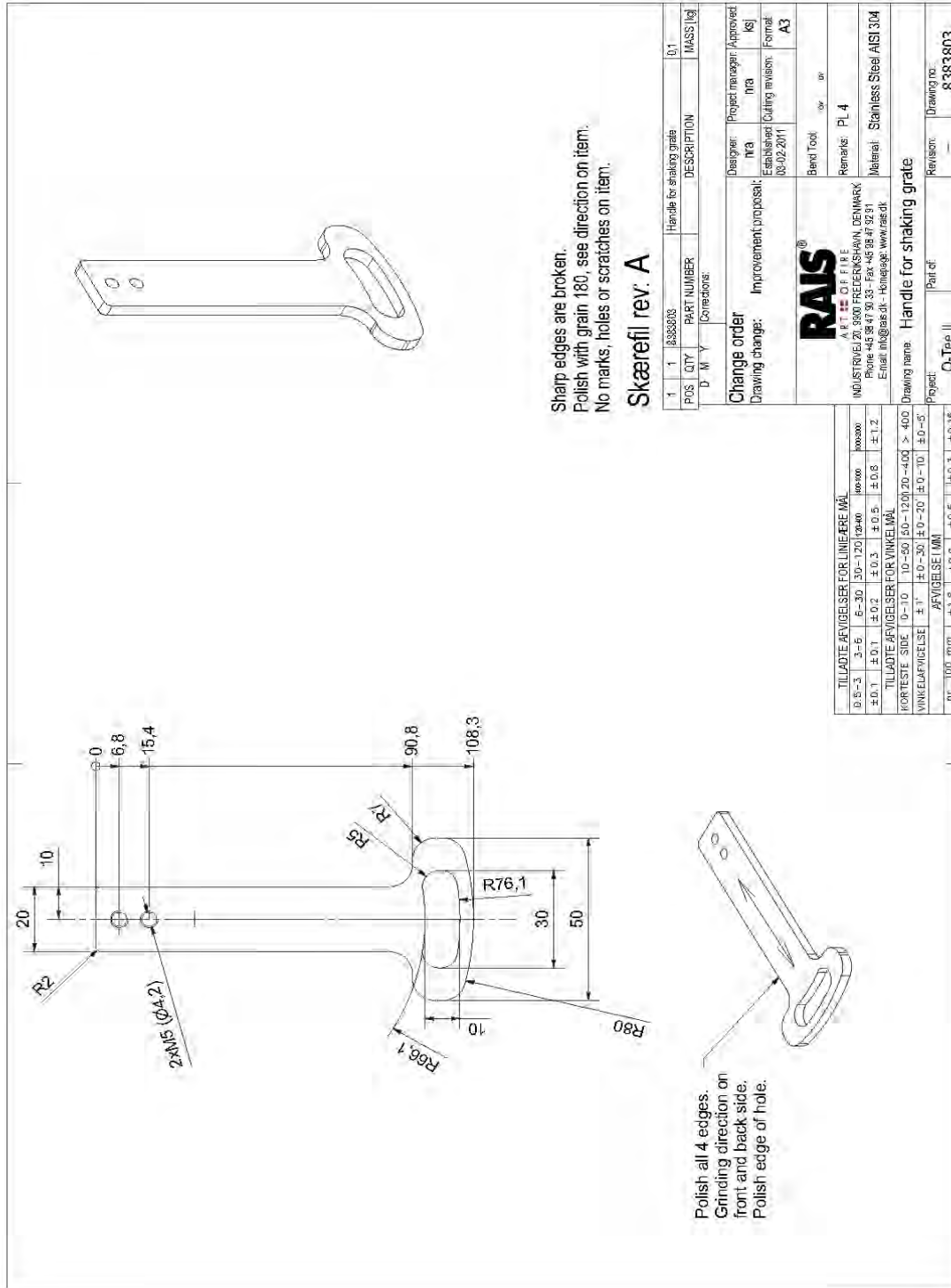
TILLADTE AFVIGELSER FOR LIMEFÆRE MÅL	0.5-3	3-6	6-30	30-120	120-400	400-1000	1000-3000
±0.1	±0.1	±0.2	±0.3	±0.5	±0.8	±1.2	±1.2

TILLADTE AFVIGELSER FOR VINKELMÅL	0-10	10-50	50-120	120-400	> 400
±1°	±0-30'	±0-20'	±0-10'	±0-5'	±0-5'

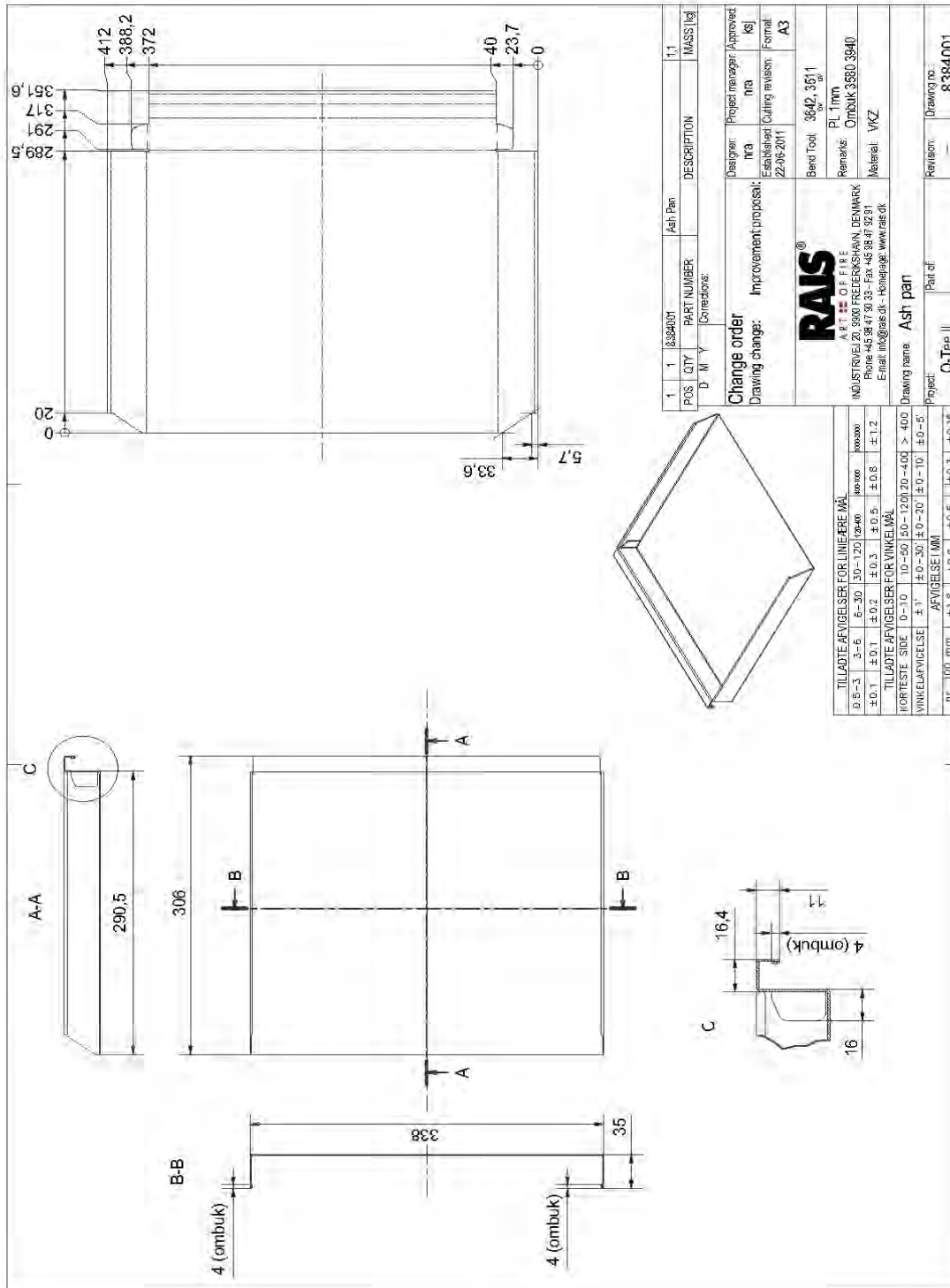
pr. 100 mm ±1.8 ±0.8 ±0.6 ±0.3 ±0.15



**Drawing 34**

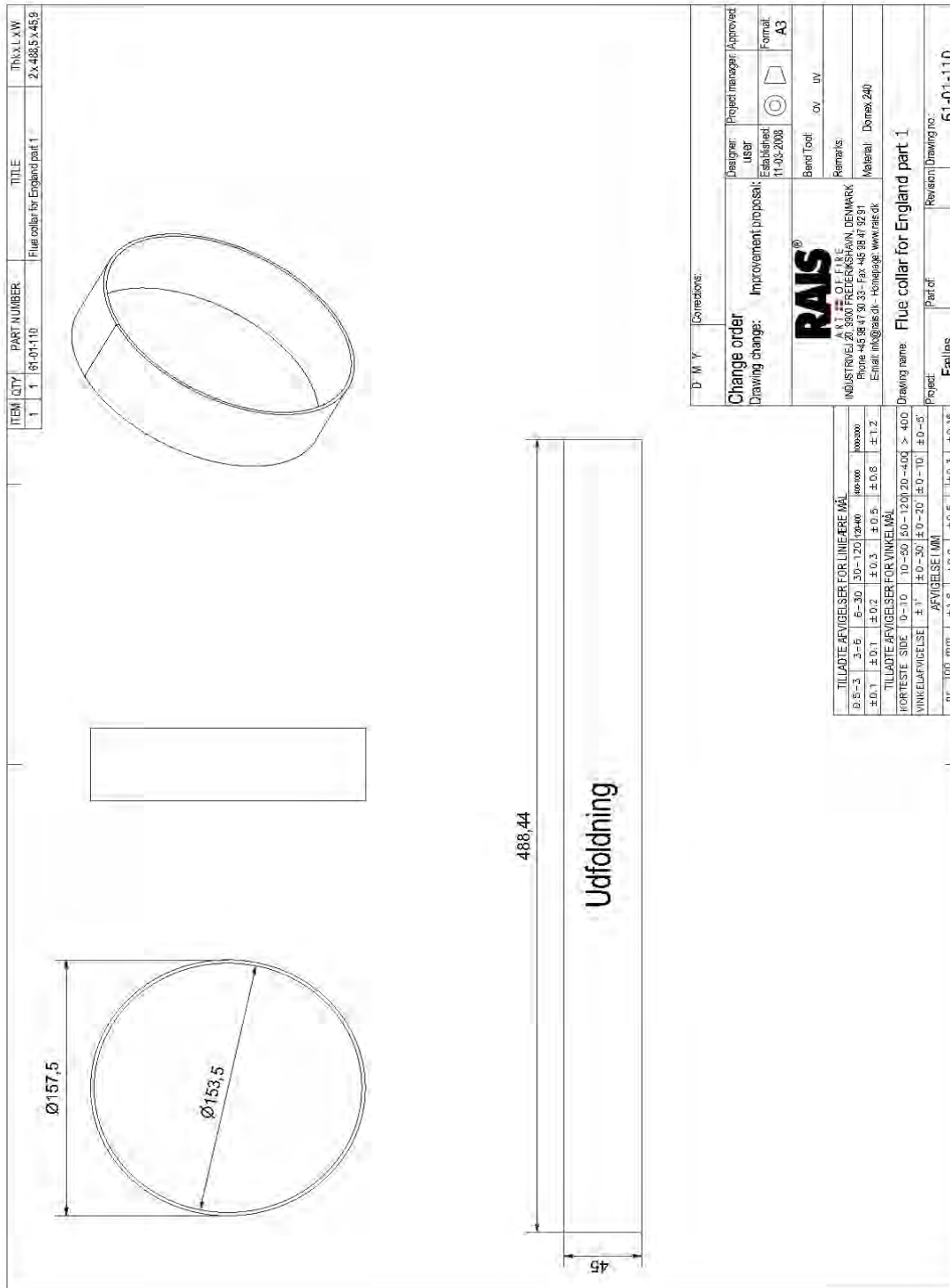


**Drawing 35**



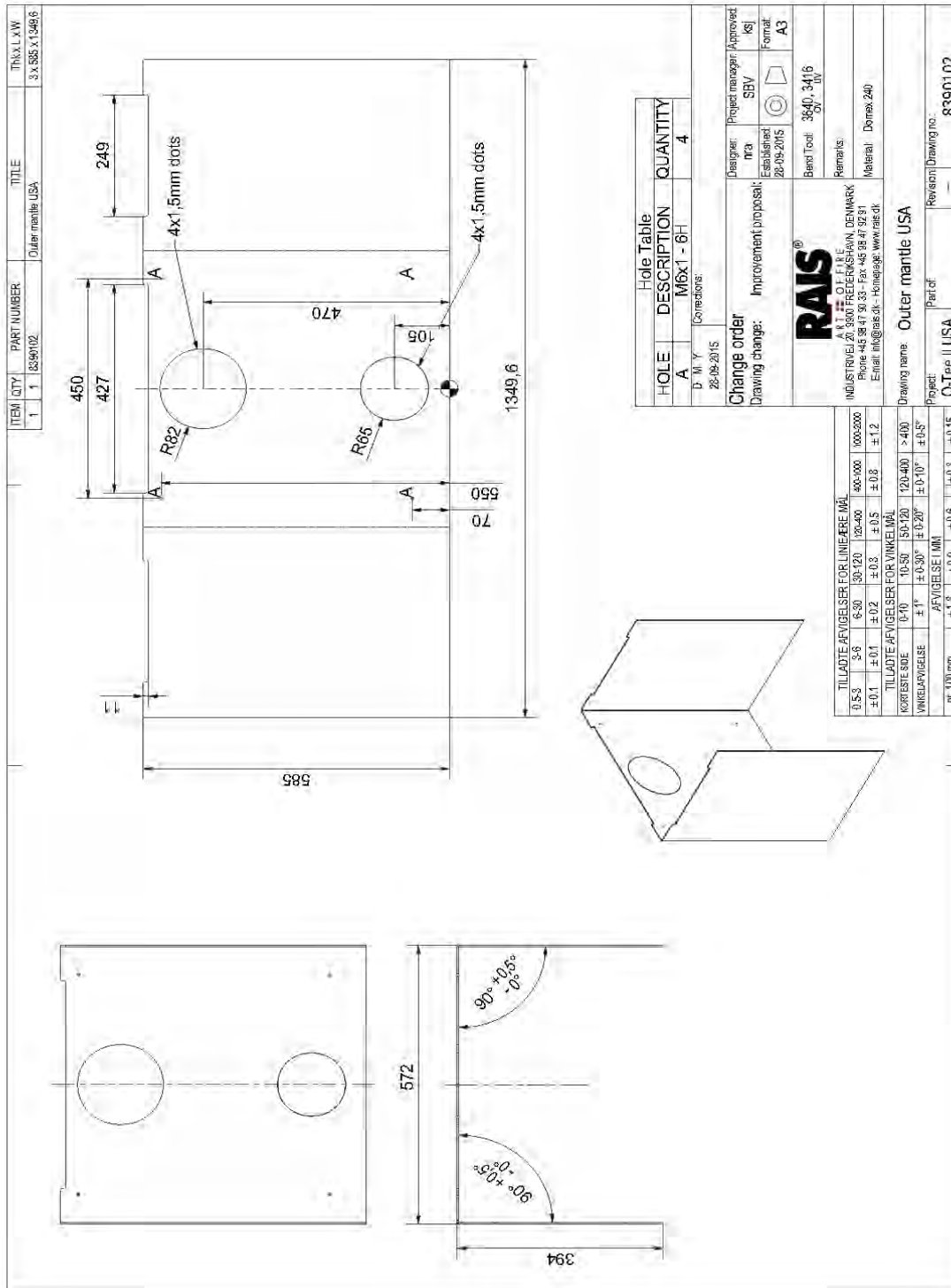


**Drawing 36**



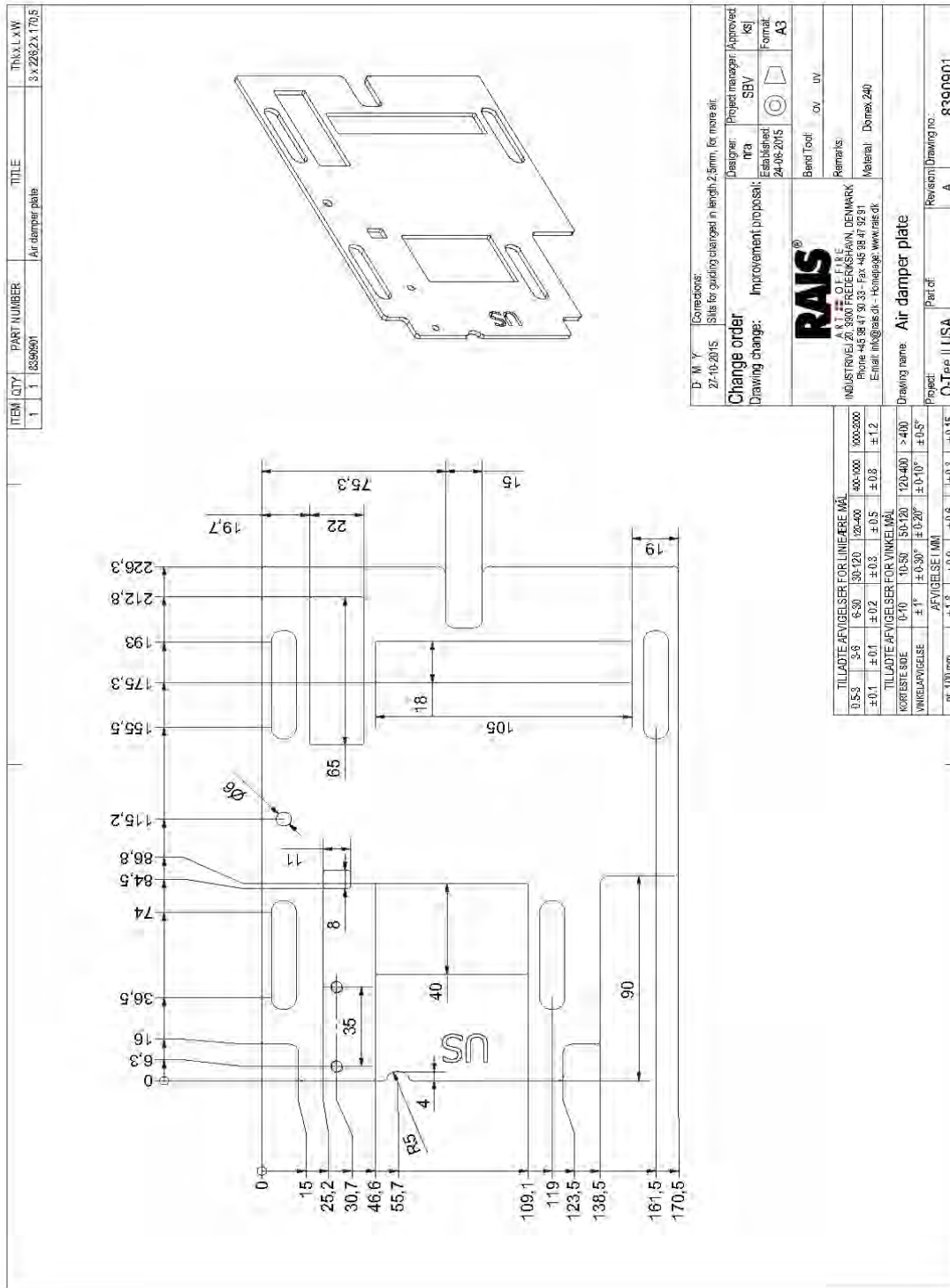
D. M. Y. Conditions:		Project manager: Approved
Change order	Designer: User	Format: A3
Drawing change: Improvement proposal	Established: 11-02-2008	
<b>RAIS</b> <sup>®</sup>		Bend Tool: DV, DV
INDUSTRIVEJ 20, 8301 FRÆDESKOVEN, DENMARK Phone: +45 98 47 30 33 - Fax: +45 98 47 32 81 Email: info@rais.dk - Homepage: www.rais.dk		
Drawing name: Flue collar for England part 1		Revision: Drawing no. 61-01-110
Project: Fealtes		Part of:

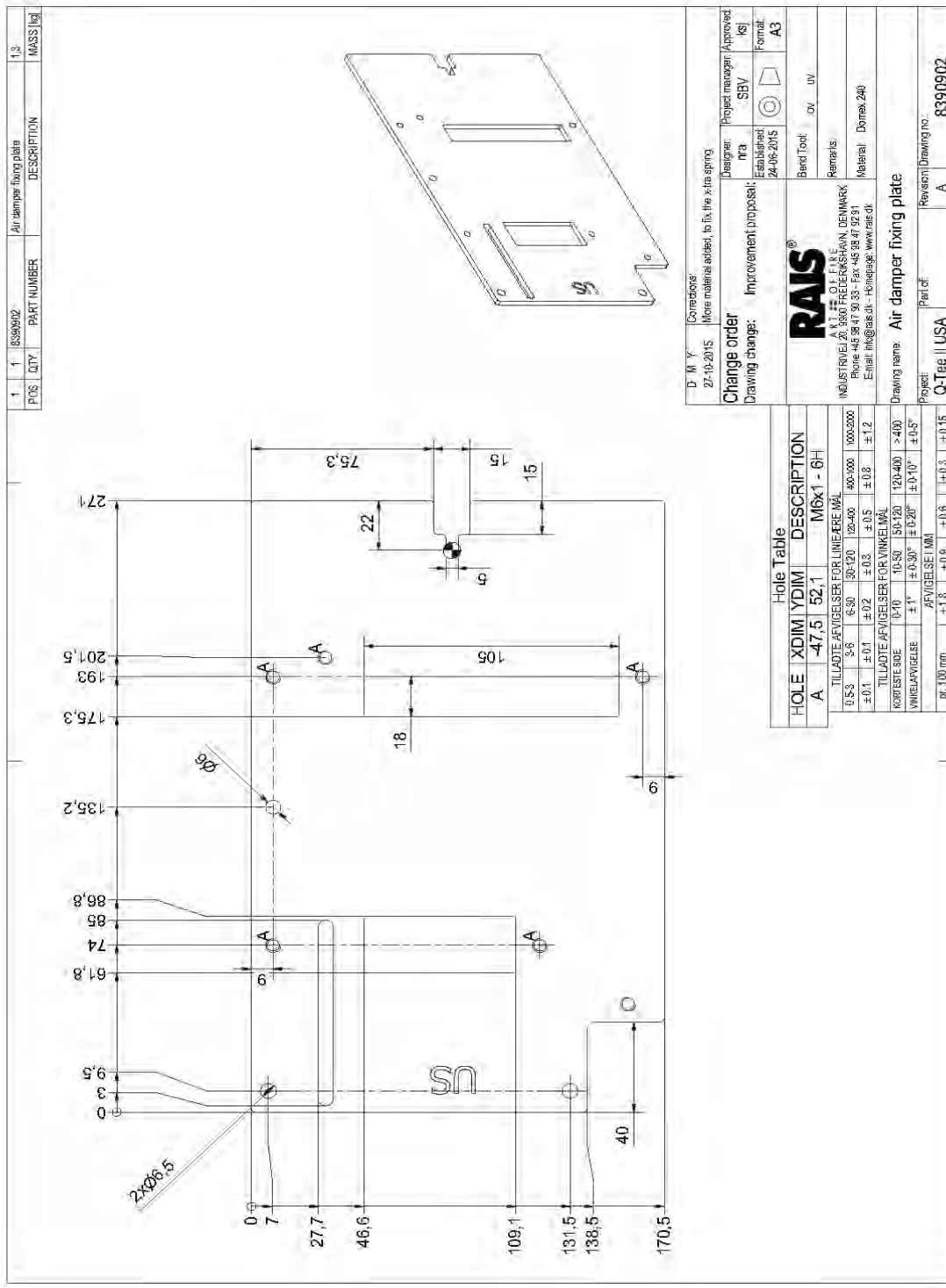
**Drawing 37**



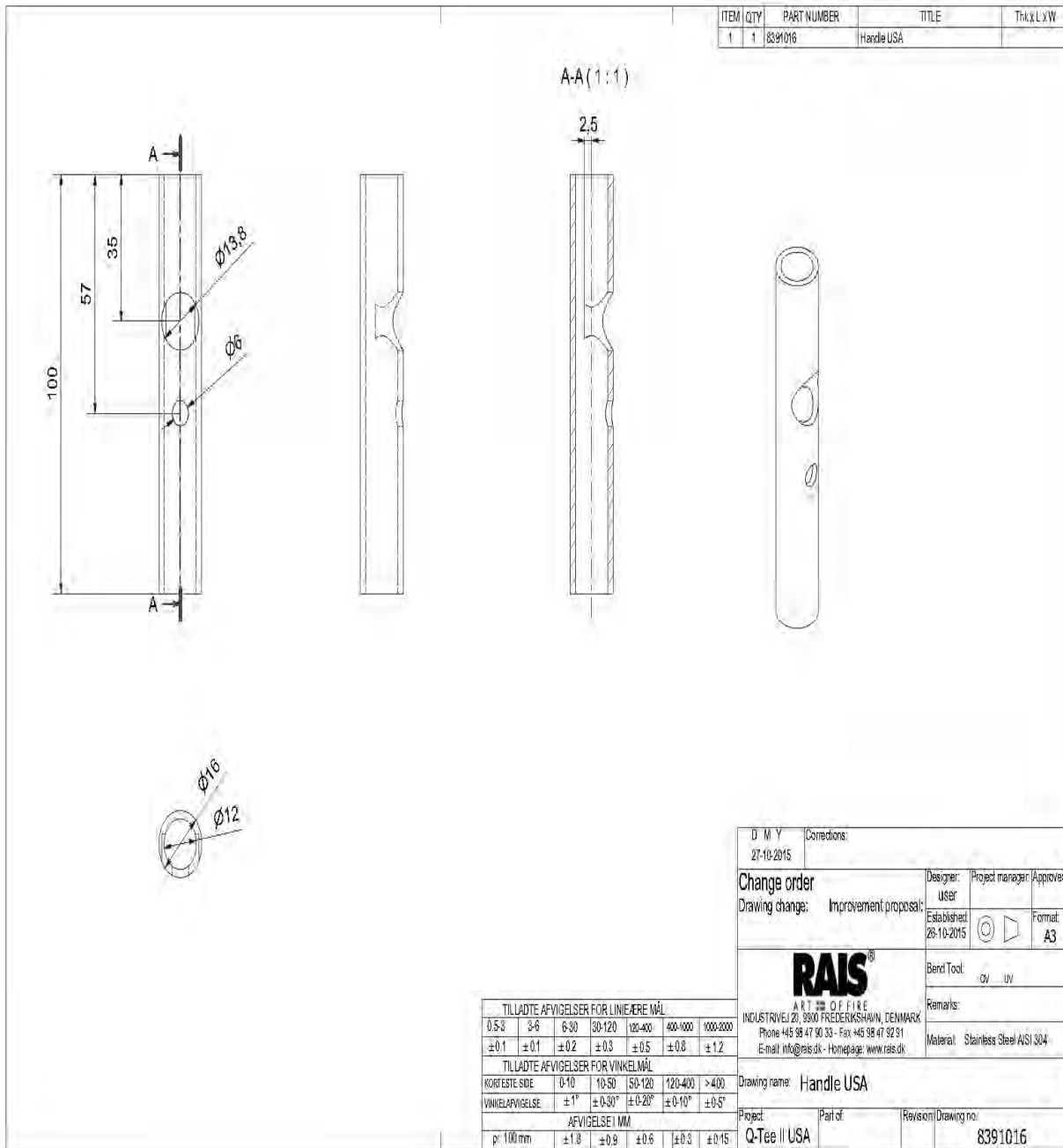


**Drawing 39**

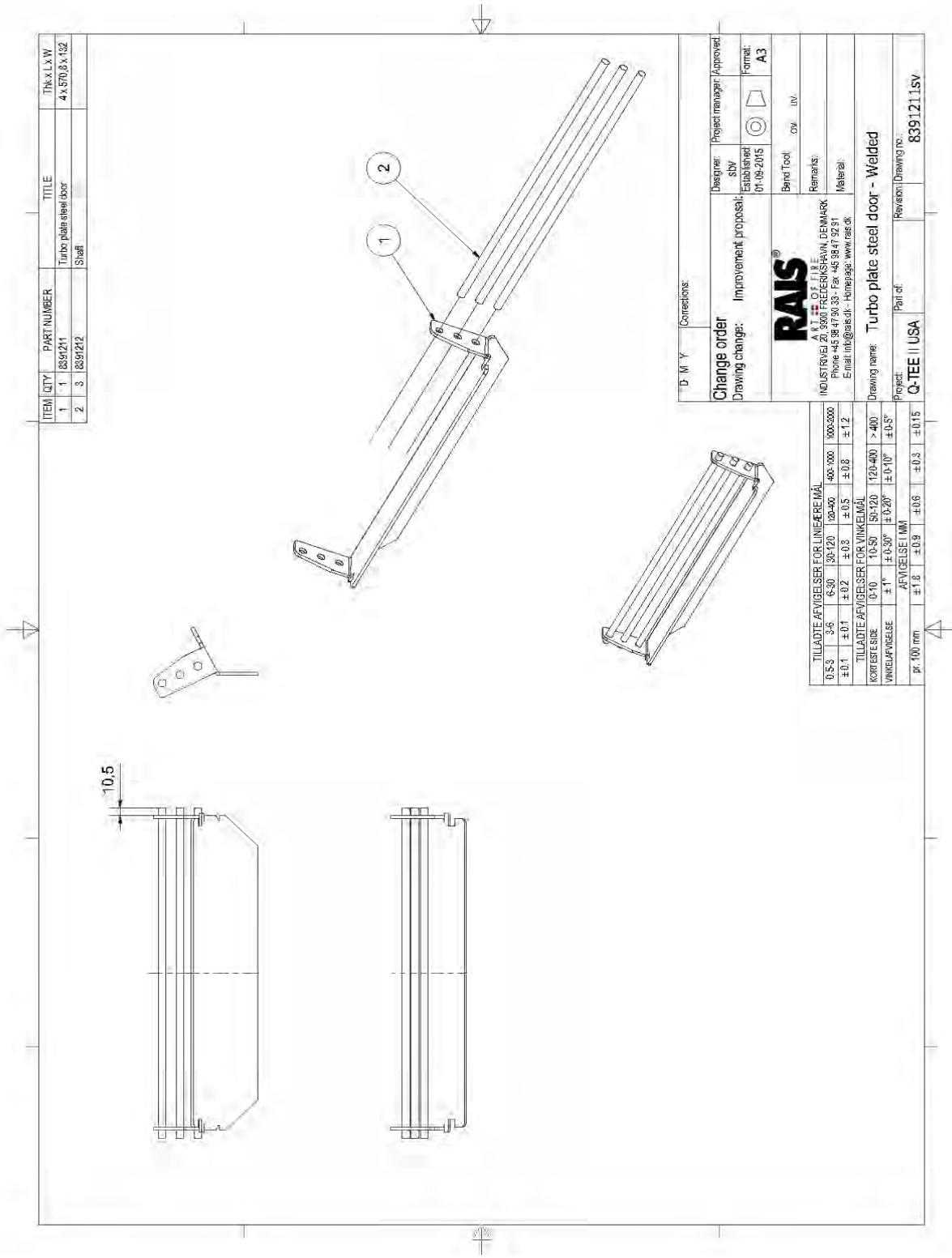




**Drawing 41**



**Drawing 42**



ITEM	QTY	PART NUMBER	TITLE	TRK x L x W
1	1	0891211	Turbo plate steel door	4 x 570,8 x 132
2	3	0891212	Shaft	

D M Y Connections: Project manager: Approved

Change order: Improvement proposal: Designer: SBY  
 Drawing change: Established: 01-08-2015  
 Format: A3

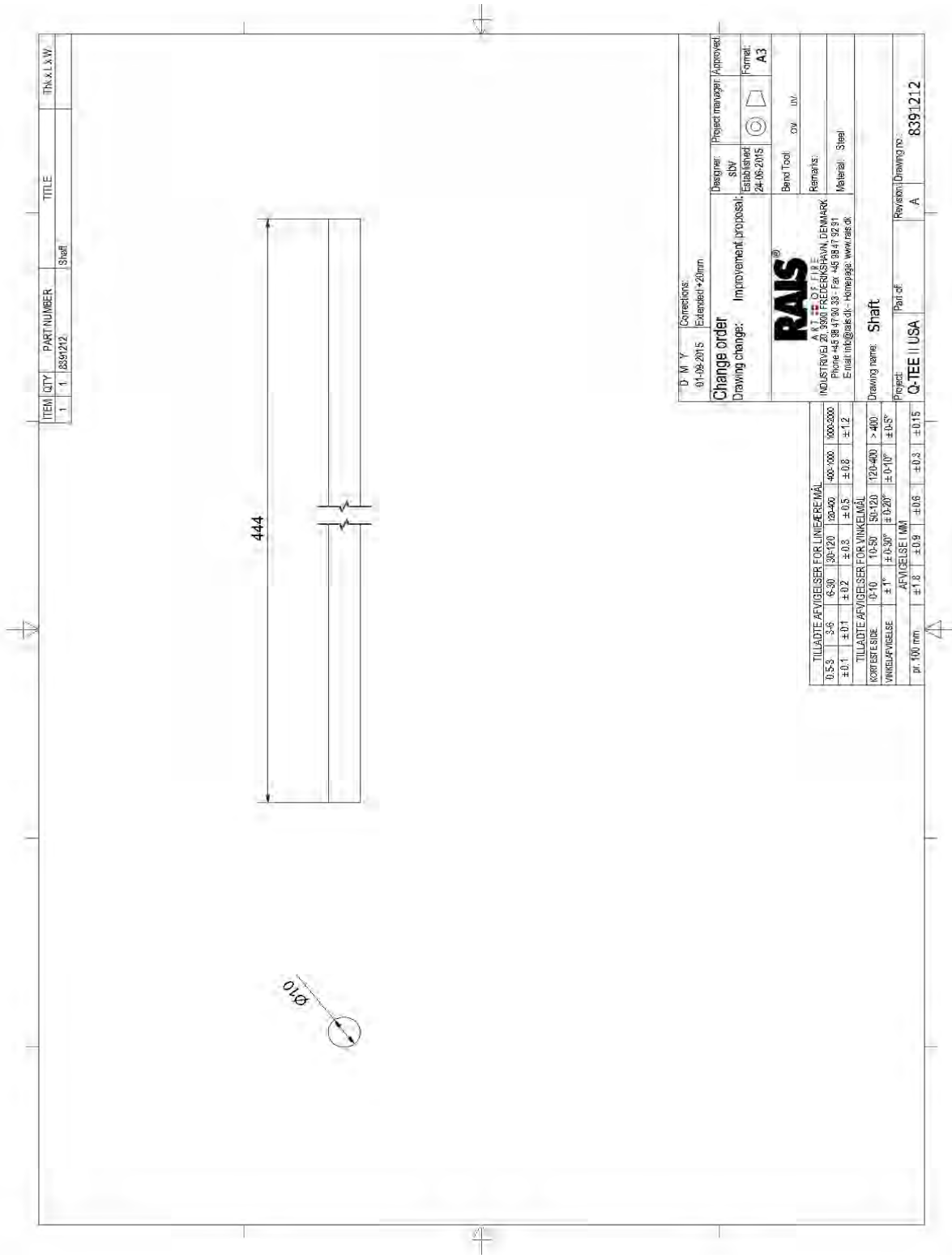
RAIS®  
 A.M.T. OF F.I.B.E.  
 INDUSTRIVEJ 20, 3600 FREDERIKSHAVN, DENMARK  
 Phone: +45 38 47 90 33 Fax: +45 38 47 92 91  
 Email: info@rais.dk - Homepage: www.rais.dk

Remarks: Bend Tool: CW INV  
 Material:  
 Drawing name: Turbo plate steel door - Welded

Project: Q-TEE II USA Part of: 8391211sv  
 Revision: Drawing No.:

TILLADTE AFVIGELSE FOR LINEERE MÅL	0-5 S	3-6	6-30	30-120	120-400	400-1000	1000-2000
± 0,1	± 0,1	± 0,2	± 0,3	± 0,5	± 0,8	± 1,2	
TILLADTE AFVIGELSE FOR VINKELMÅL							
KORREKTE SIDE	0-10	10-30	30-120	120-400	> 400		
VINKELAFVIGELSE	± 1"	± 0,30"	± 0,20"	± 0,10"	± 0,5"		
pr. 100 mm							
AFVIGELSE I MM	± 1,8	± 0,9	± 0,6	± 0,3	± 0,15		





ITEM	QTY	PART NUMBER	TITLE	TRN.X L.A.W.
1	1	0391212	Shaft	

D M Y  
 01-09-2015

Connections:  
 Extended +20mm.

Change order  
 Drawing change: Improvement proposal.

Designer: SIV  
 Established: 24-06-2015

Project manager: Approved

Format: A3

Bend Tool: DW DW

Remarks:

Material: Steel

RAIS  
 A.M.T. OF FINE  
 INDUSTRIAL 20, 3600 FREDERIKSHAVN, DENMARK  
 Phone: +45 98 47 90 33; Fax: +45 98 47 92 91  
 Email: info@rais.dk; Homepage: www.rais.dk

Drawing name: Shaft

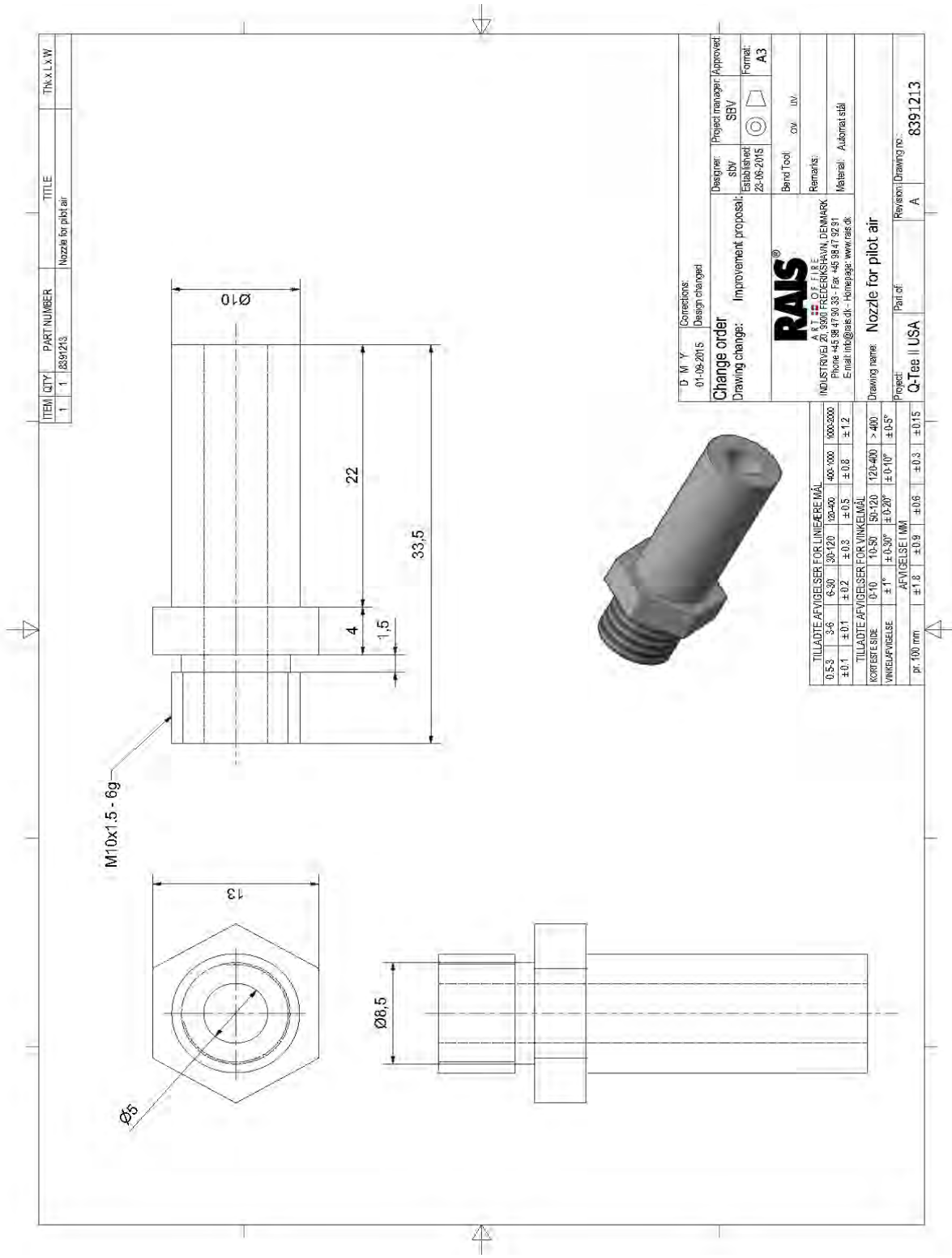
Project: Q-TEE II USA

Revision: Drawing No.: 8391212

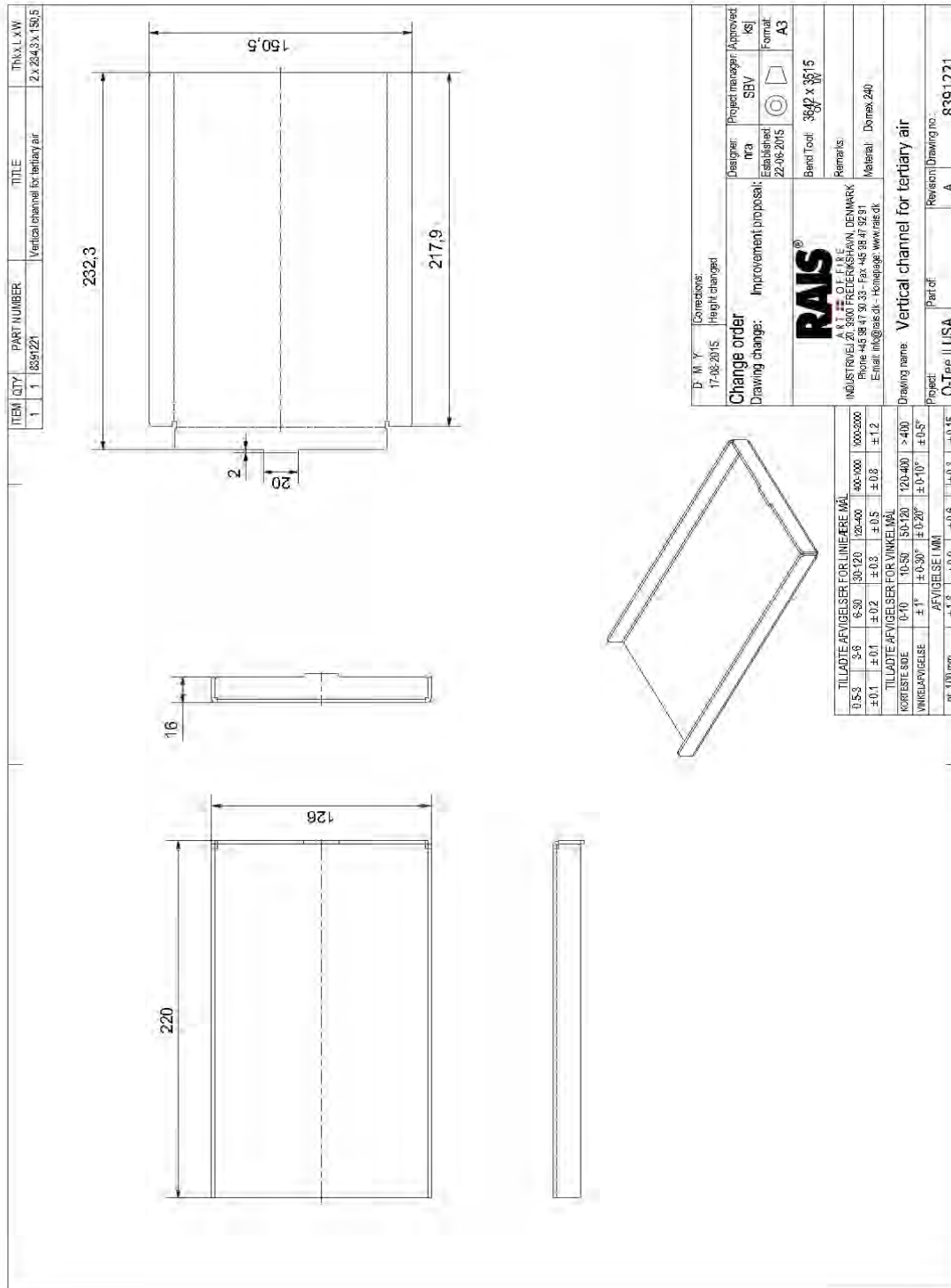
TILLADTE AFVIGELSE FOR LINEERE MÅL	0,5-S	3-6	65-90	100-120	120-400	400-1000	1000-2000
±0,1	±0,1	±0,2	±0,3	±0,5	±0,8	±1,2	
TILLADTE AFVIGELSE FOR VINKELMÅL	KORREKTE SIDE	0-10	10-30	30-120	120-400	> 400	
VINKELAFVIGELSE	± 1°	± 0,30°	± 0,20°	± 0,10°	± 0,05°	± 0,05°	
AFVIGELSE I MM	pr. 100 mm	±1,8	±0,9	±0,6	±0,3	±0,15	



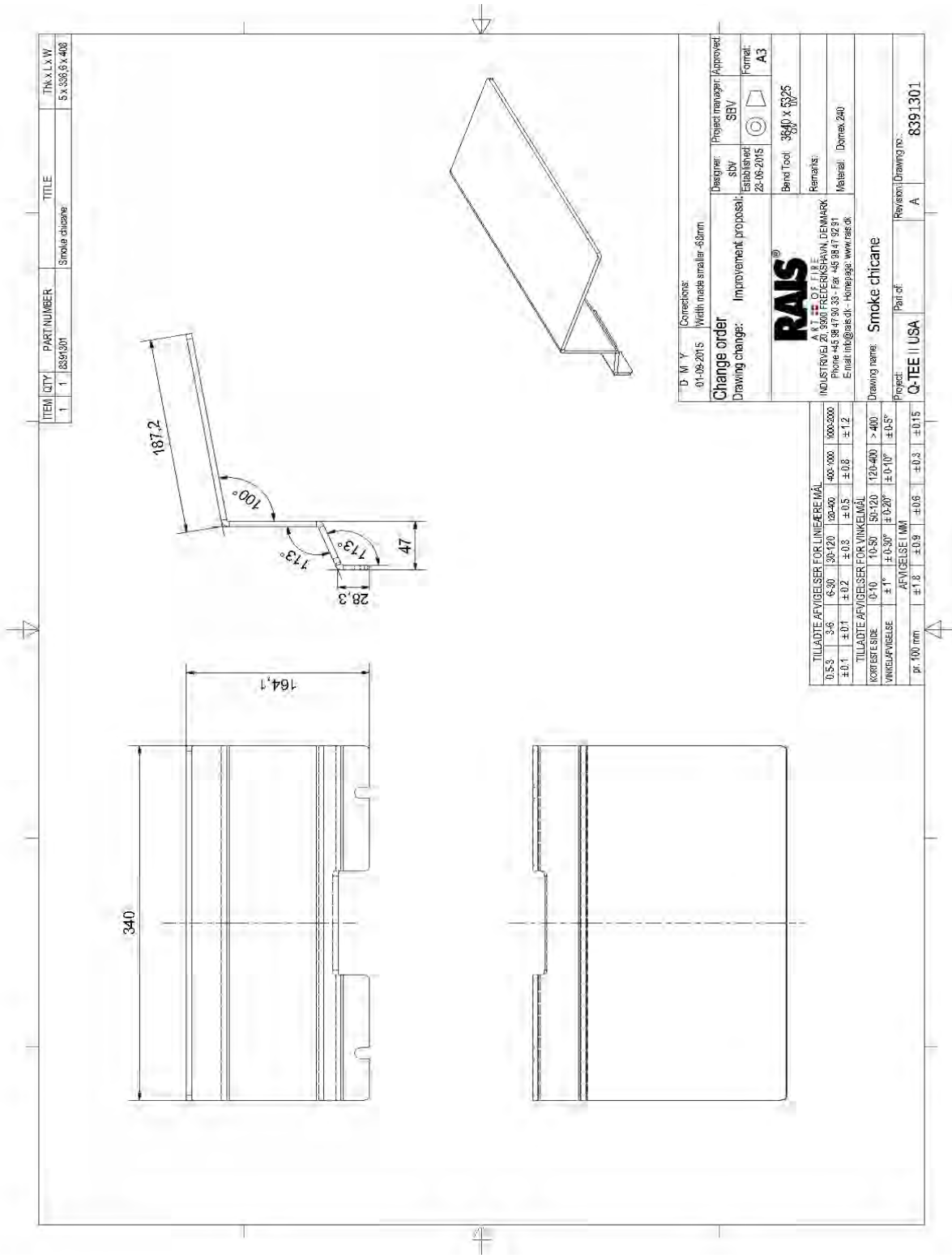
**Drawing 44**



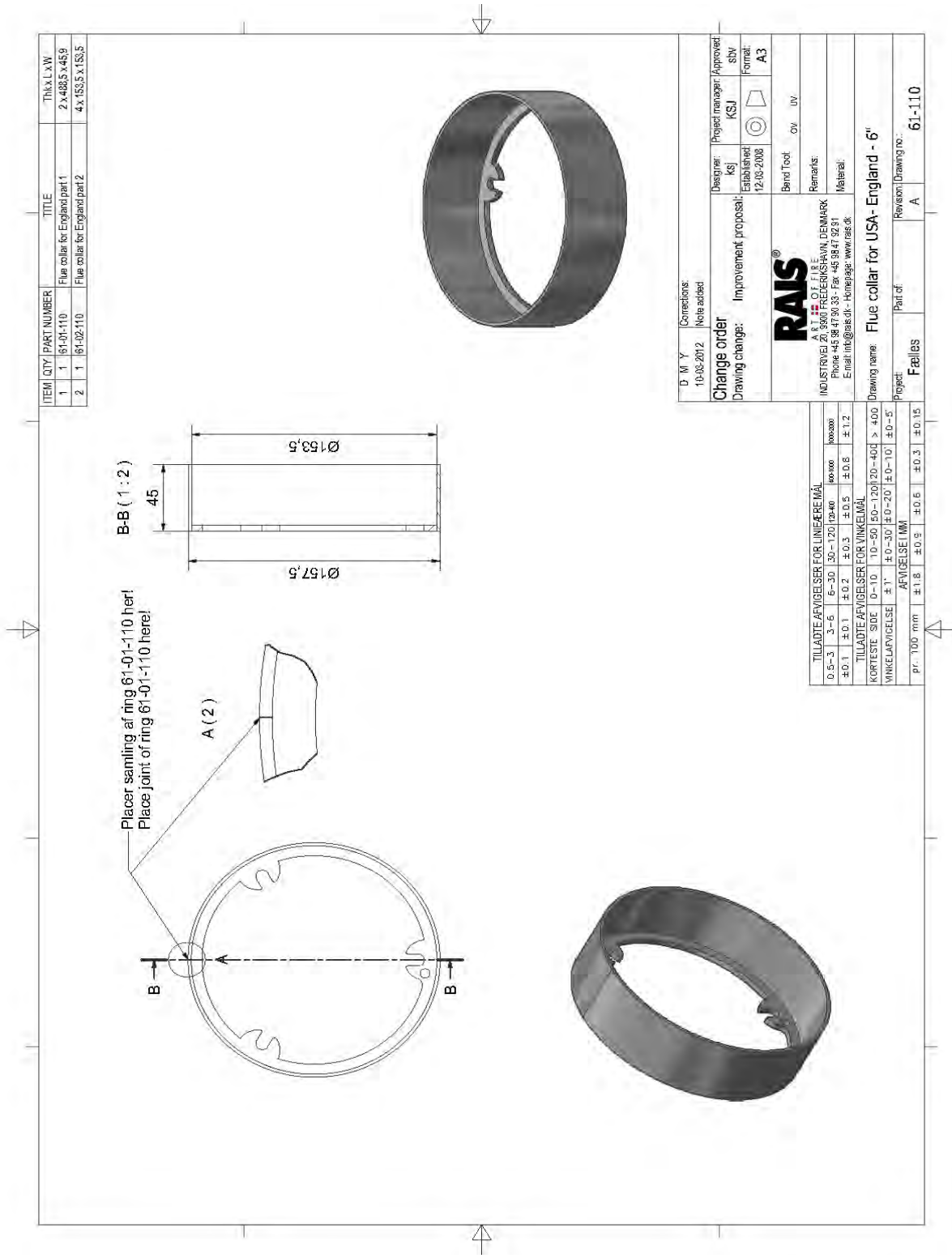
**Drawing 45**



**Drawing 46**



**Drawing 47**



ITEM	QTY	PART NUMBER	TITLE	Thick L x W
1	1	61-01-110	Flue collar for England part 1	2 x 488,5 x 48,9
2	1	61-02-110	Flue collar for England part 2	4 x 153,5 x 153,5

D M Y Corrections: 10-02-2012 Note added

Designer: KSI  
 Established: 12-02-2008

Project manager: Approved: KSI  
 SIV  
 Format: A3

Change order  
 Drawing change: Improvement proposal:

Bend Tool: OV UV

Remarks:

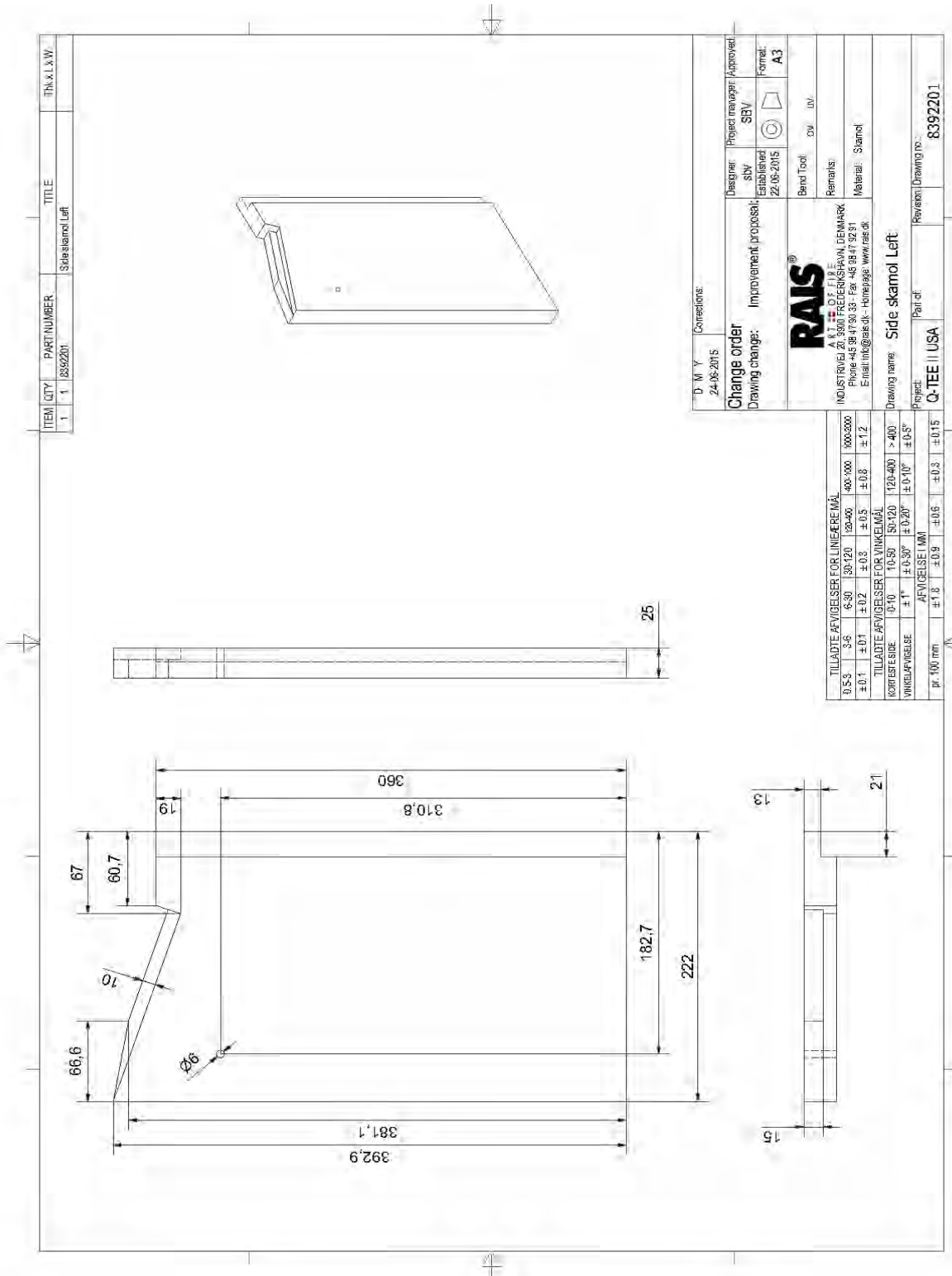
Material:

**RAIS®**  
 A & T OF F.I.B.E.  
 INDUSTRIVEJ 20, 3900 FREDERIKSHAVN, DENMARK  
 Phone: +45 98 47 90 33 Fax: +45 38 47 92 91  
 Email: info@rais.dk - Homepage: www.rais.dk

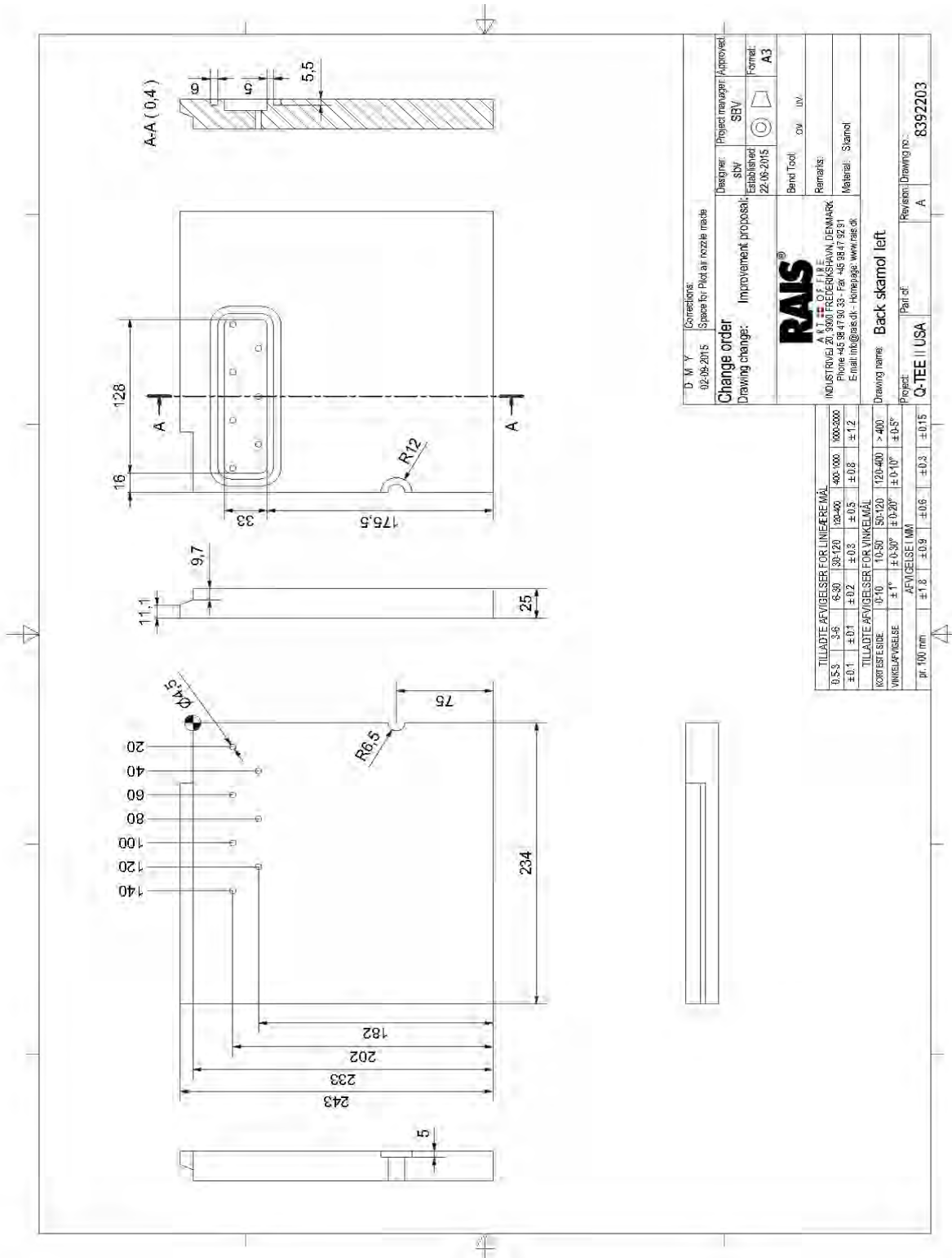
Drawing name: Flue collar for USA-England - 6"

Part of: Fælles  
 Revision: Drawing no.: 61-110

**Drawing 48**



Drawing 49



D M Y 02.06.2015  
 Connections: Space for Pilot air nozzle made

Change order  
 Drawing change: Improvement proposal

Designer: SHV  
 Established: 22.06.2015  
 Bend Tool: DW DW

Project manager: Approved  
 SHV  
 Format: A3

Remarks:  
 Material: Stålmål

RAIS A/S  
 A.M.T. OF F.I.B.E.  
 INDUSTRIVEJ 20, 3600 FREDERIKSHAVN, DENMARK  
 Phone: +45 36 47 90 33 Fax: +45 36 47 92 91  
 Email: info@rais.dk Homepage: www.rais.dk

Drawing name: Back skænmål left

Project: Q-TEE II USA  
 Part of: 8392203  
 Revision: Drawing No. A

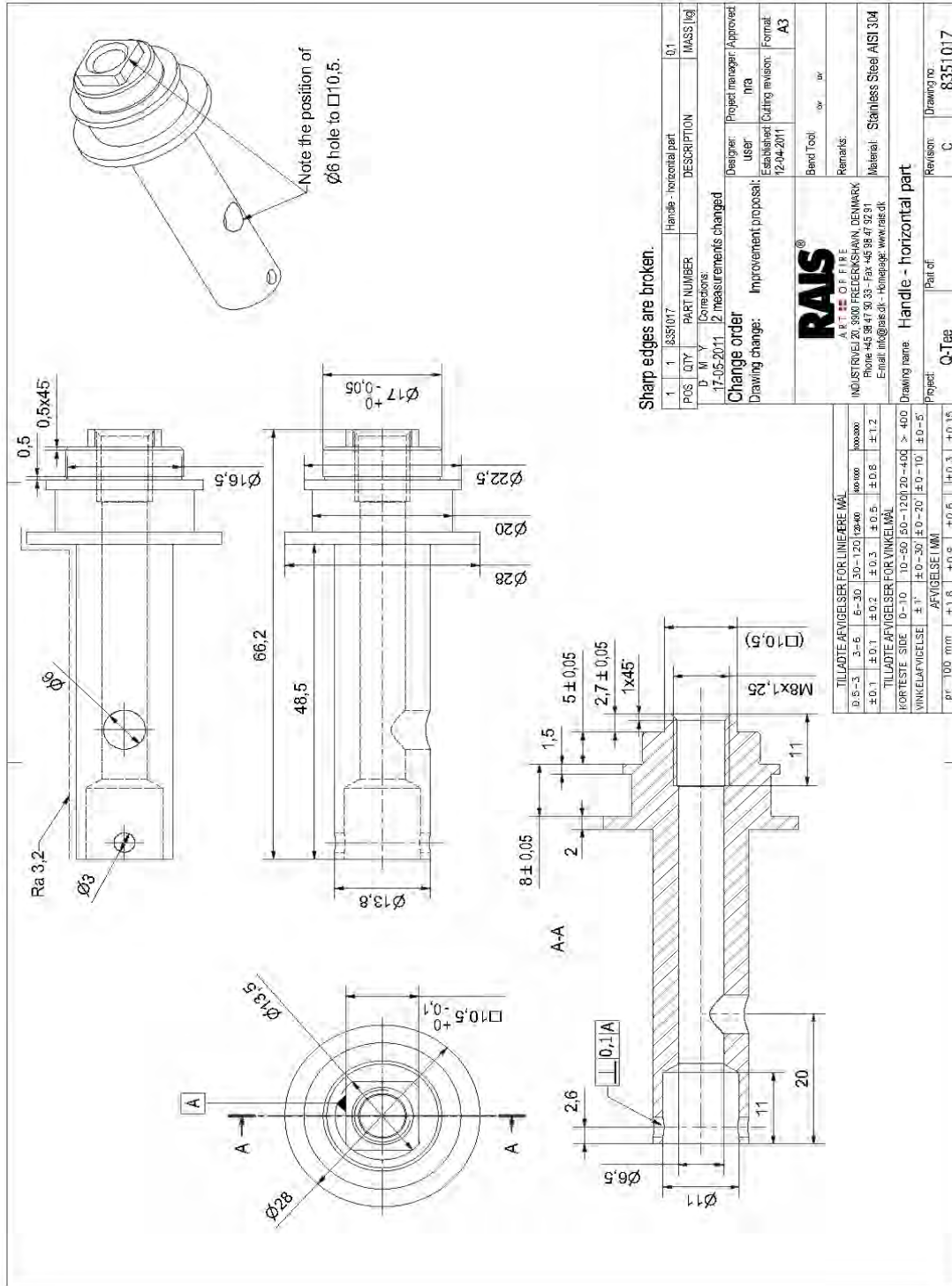




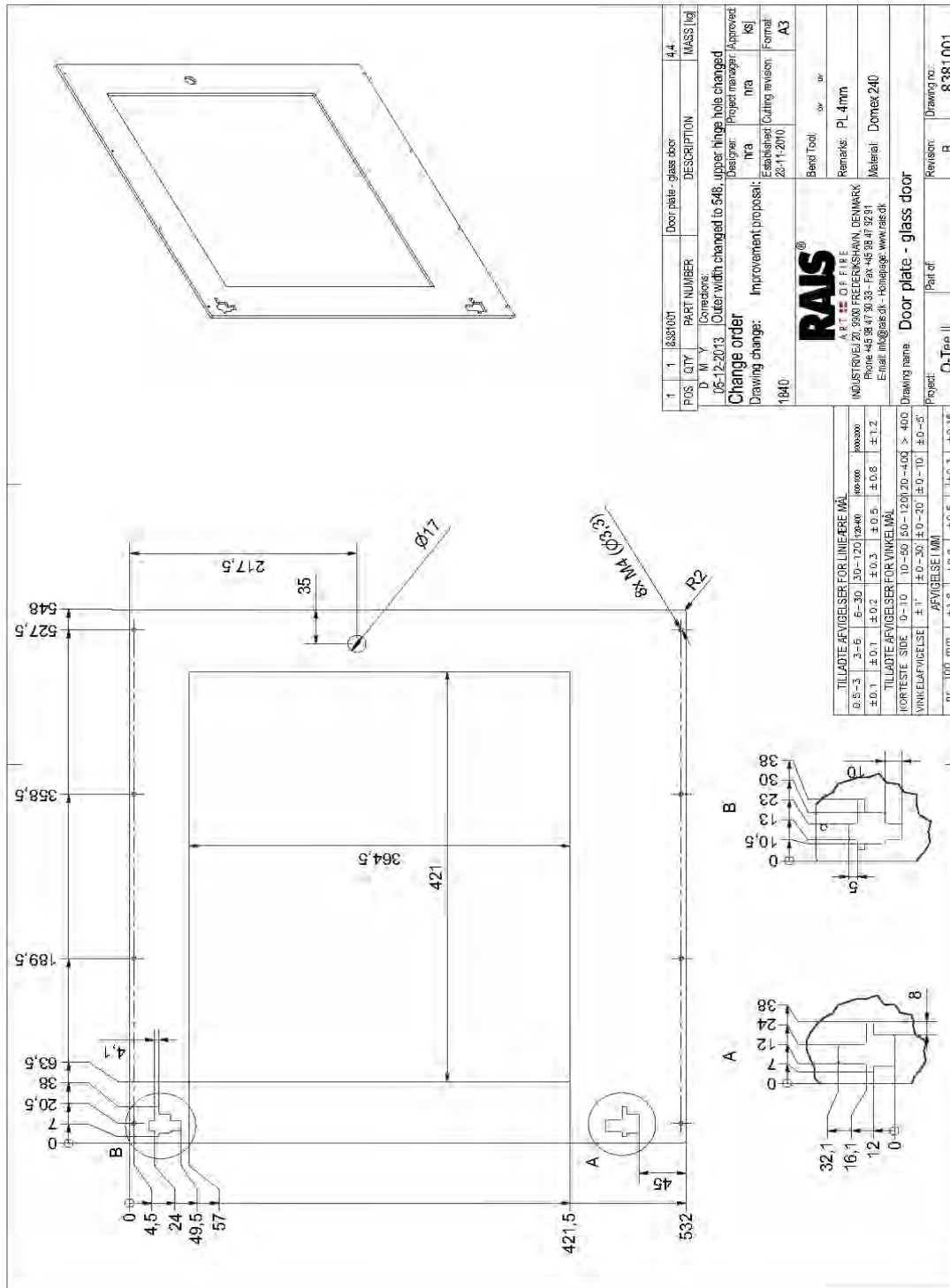




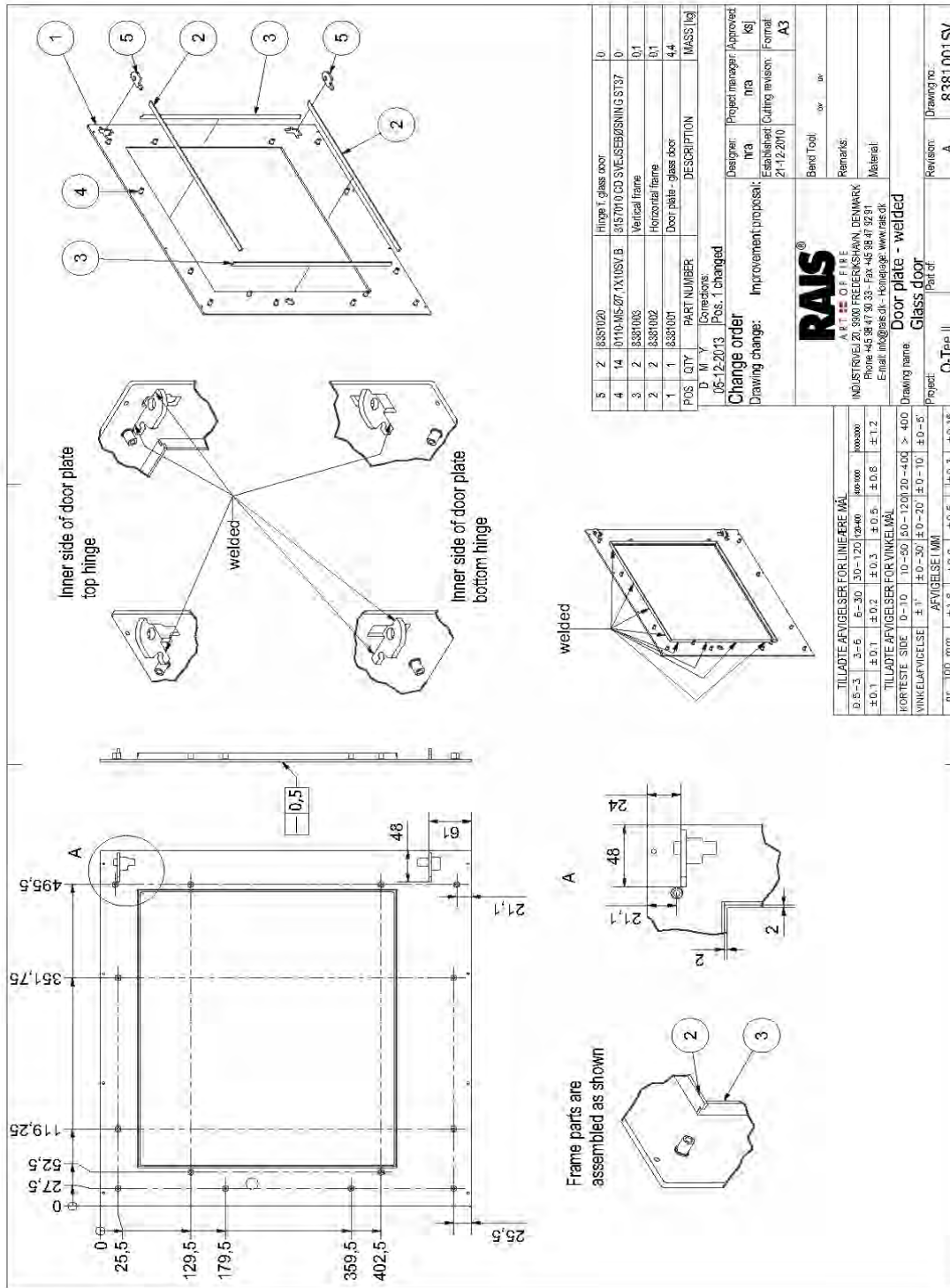
**Drawing 52**



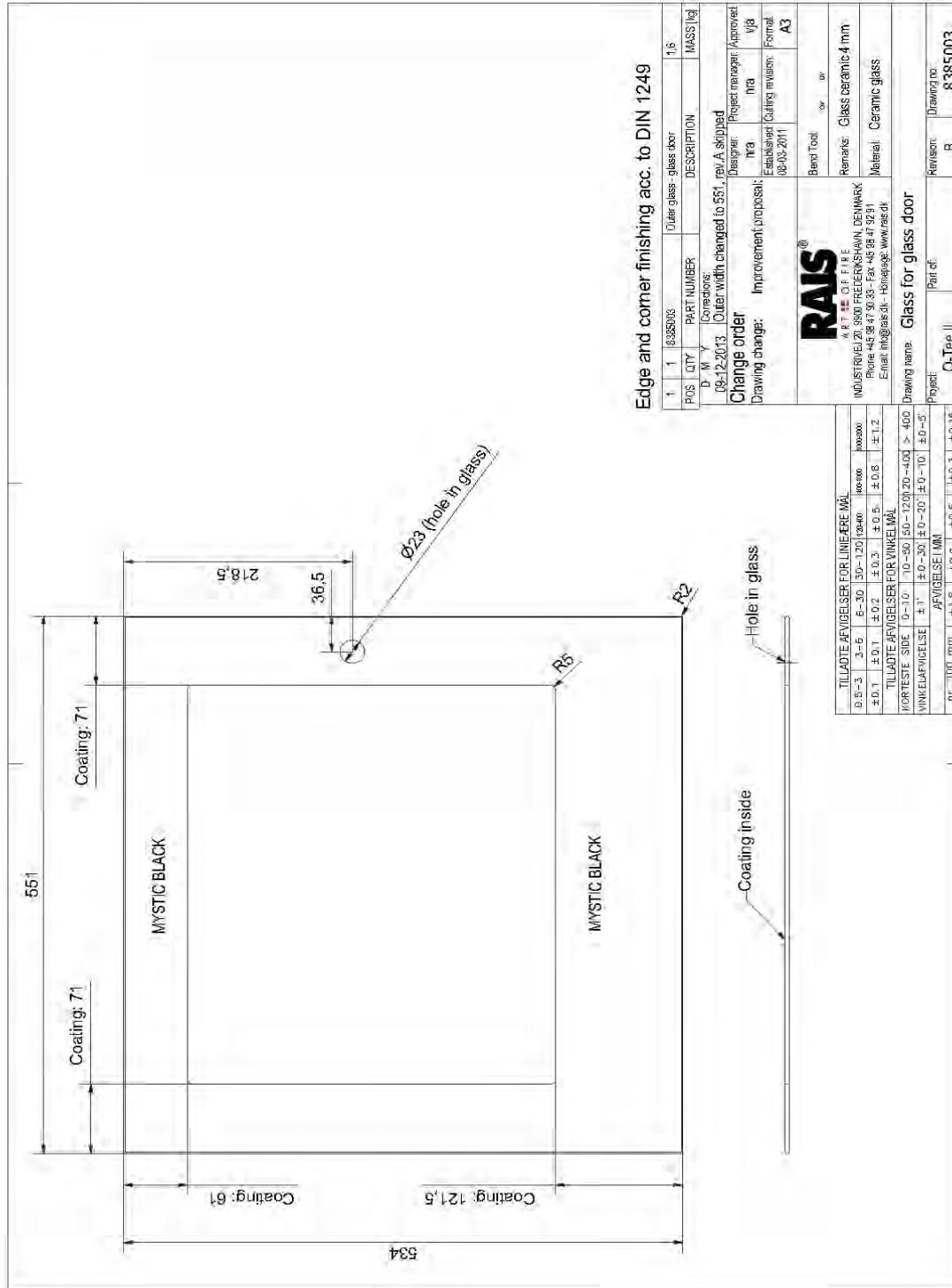
**Drawing 53**



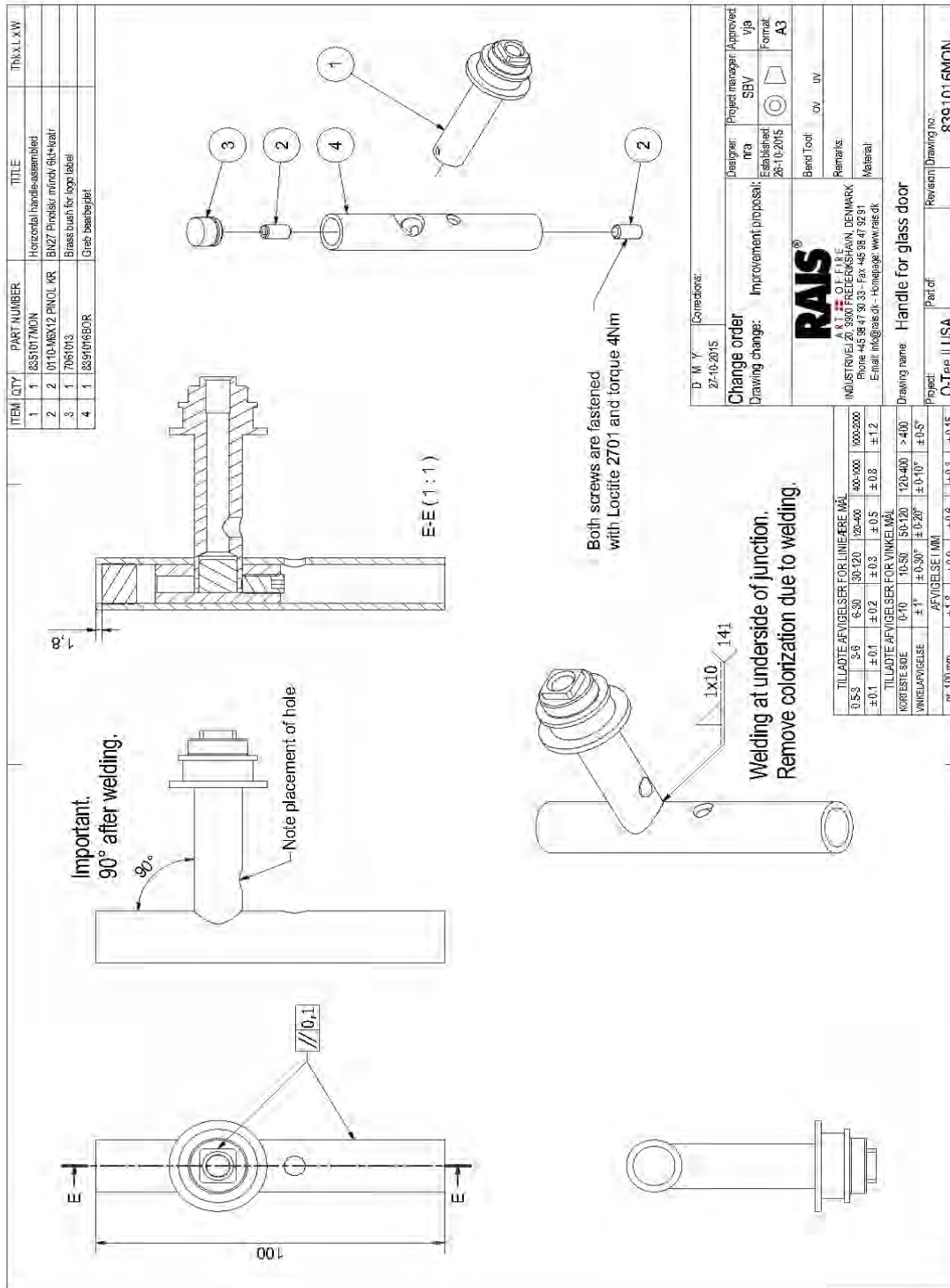
**Drawing 54**



Drawing 55



Drawing 56





**Drawing 57**

Outer glass/  
Udvendigt glas

Glass gasket (0005501) is mounted on inner face of inner door. Gasket has to seal against frame all around. No leakage!

Glass gasket 10x2 mm (0005501) is mounted between outer glass and outer door plate (as shown). Glasbånd 10x2mm (0005501) lægges ml. udv. glas og udv. lågeplade som vist.

Glass gasket follows the cut out. No leakage!

Bend the flaps after mounting

POS	QTY	PART NUMBER	DESCRIPTION	MASS [kg]
21	1	8351810	Washer	0
20	1	8351809	Tab washer	0
19	1	8381011	Lid for outer glass - top	0,1
18	1	8381014	Lid for outer glass - bottom	0,1
17	1	0005501	Glasbånd 10x2mm sort mtape	0,3
16	1	0005501	Glasbånd 10x2mm sort mtape	0,3
15	1	0005503	432mm Textilpakn af 13mm sort mfyld	0,8
14	1	4021016	Afstandsbas. af 10p8, L=10 ST	0
13	8	0110-MAK8 CYL RÅ	BN272 Cylinderskur m/indv 8kt	0
12	1	0005548	Glasfiber sleeve sort, Ø11 x 70mm	0
11	1	0005503	Textilpakn af 13mm sort mfyld	1,3
10	2	0005501	550mm Glasbånd 10x2mm sort mtape	0,2
9	1	98-083-6	Bushing for door handle	0
8	14	0110-MAK8 CYL RÅ LH	BN1286 Cylinderskur indv.	0
7	1	0110-MAK10 PINOL KR	BN27 Pinolskr m/indv 6kt+krat	0
6	1	0110-21,ØX14X0,3	Bøtgefjedeståle L=M628R9	0
5	1	8351013	Paalvål	0
4	1	8385003	Outer glass- glass door	1,6
3	1	8381018M/ON	Handle for glass door	0,2
2	1	8381006SV	Inner door welded	2,6
1	1	8381001SV	Outer door welded	4,7

TILLADTE AFVIGELSER FOR LINEÆRE MÅL	
0,5 - 3	3 - 6
6 - 30	30 - 120
120 - 400	400 - 1000
1000 - 2000	
±0,1	±0,1
±0,2	±0,3
±0,5	±0,8
±1,2	

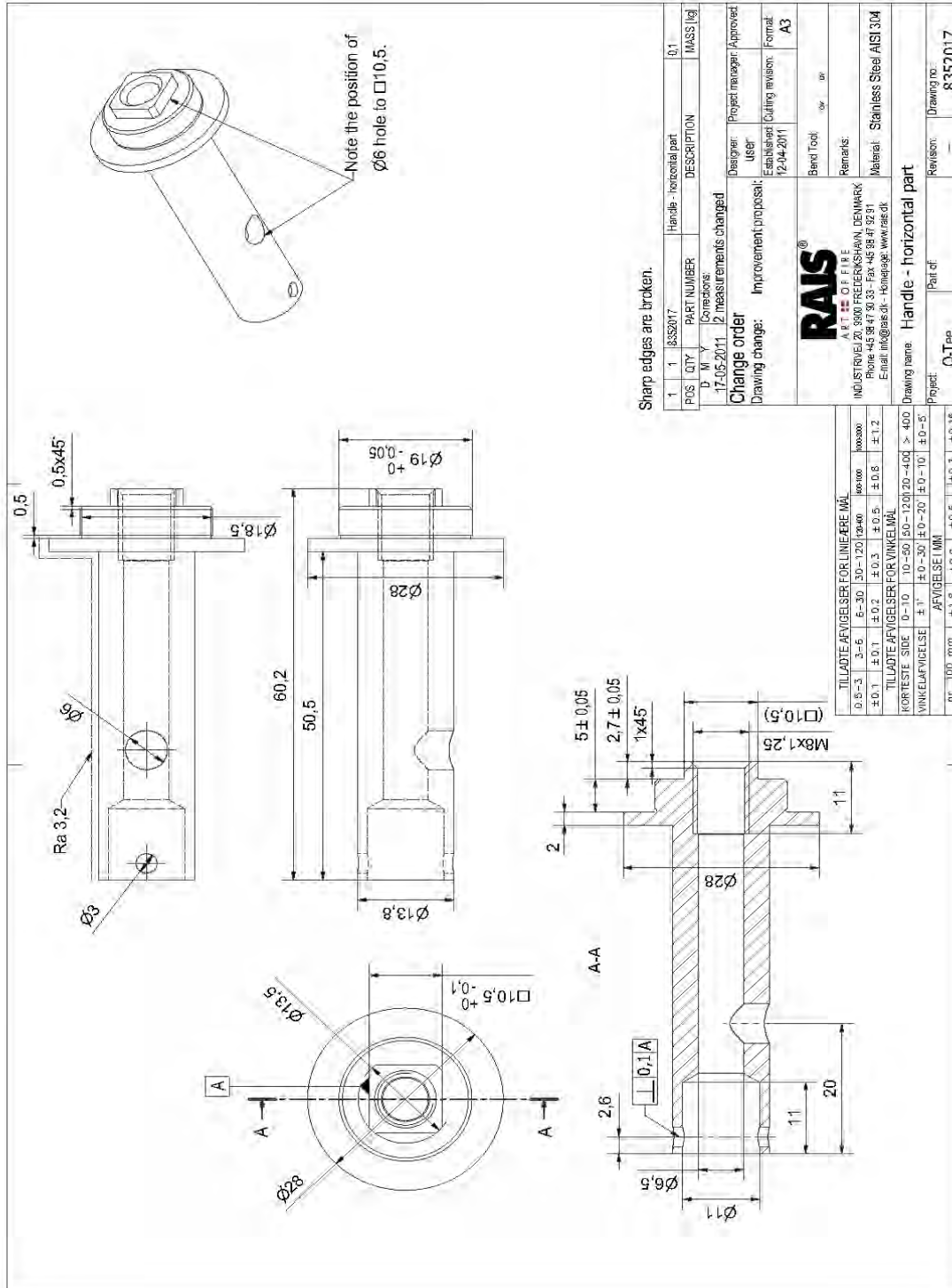
TILLADTE AFVIGELSER FOR VINKELMÅL	
KORTESTE SIDE	D > 10
10 - 50	50 - 120
120 - 400	400 - 1000
> 1000	
VINKELAFVIGELSE	± 1'
± 0 - 30'	± 0 - 20'
± 0 - 10'	± 0 - 5'

AFVIGELSE I MM	
pr. 100 mm	±1,8
	±0,9
	±0,6
	±0,3
	±0,15

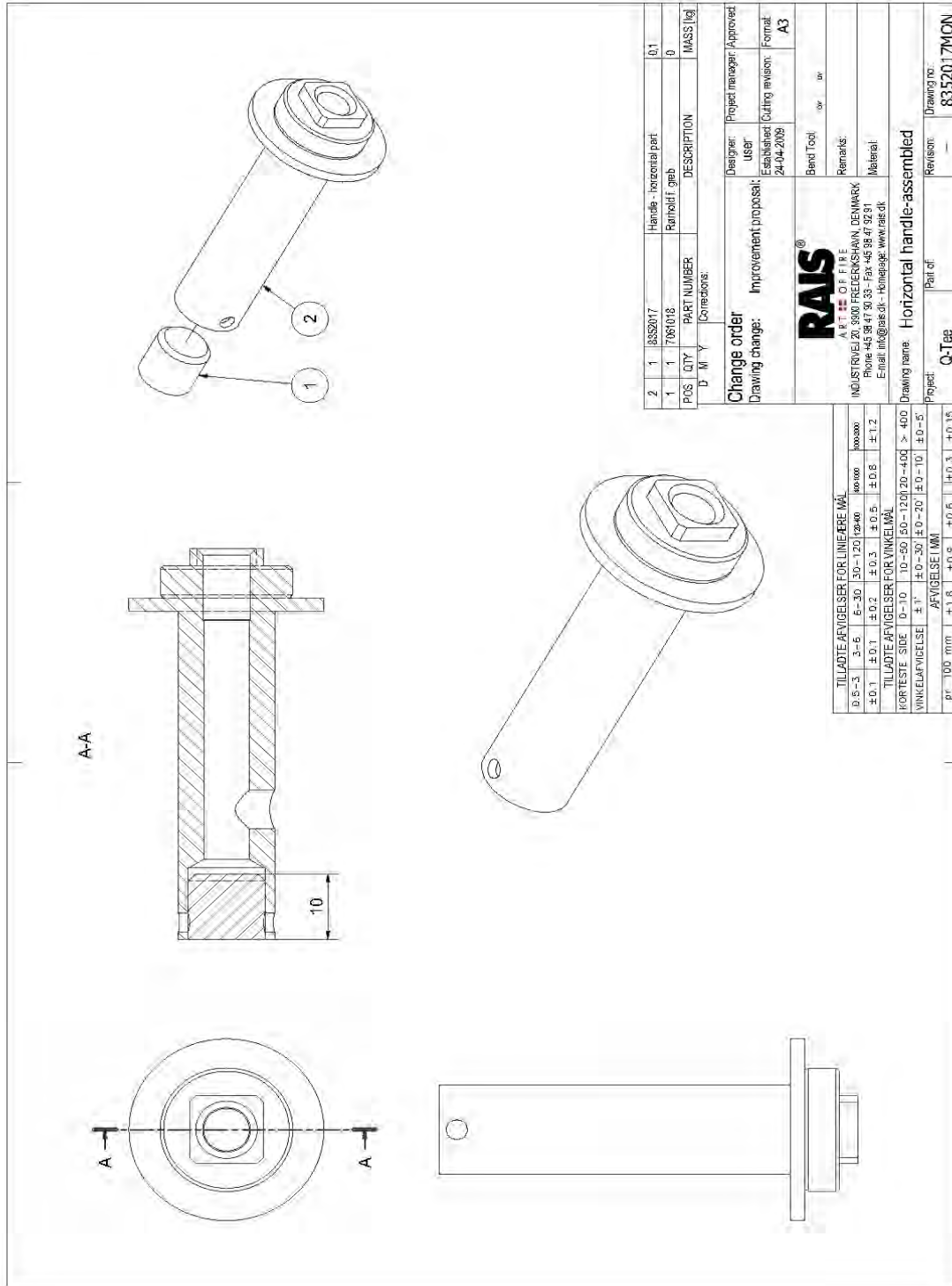
POS	QTY	PART NUMBER	DESCRIPTION	MASS [kg]
D M Y Corrections: 27-10-2015				
Change order		Designer: nra	Project manager: SSV	Approved: vja
Drawing change: Improvement proposal		Established: 26-10-2015	Cutting revision: A3	Format: A3
<b>RAIS</b> ART OF FIRE		Bend Tool: / or / or		
INDUSTRIVEJ 20, 3900 FREDERIKSHAVN, DENMARK		Remarks:		
Phone +45 98 47 90 33 - Fax +45 98 47 82 31		Material:		
E-mail info@rais.dk - Homepage: www.rais.dk		Drawing name: Glass door - complete		
Project: Q-TEE II USA	Part of:	Revision:	Drawing no.: 8391.090	



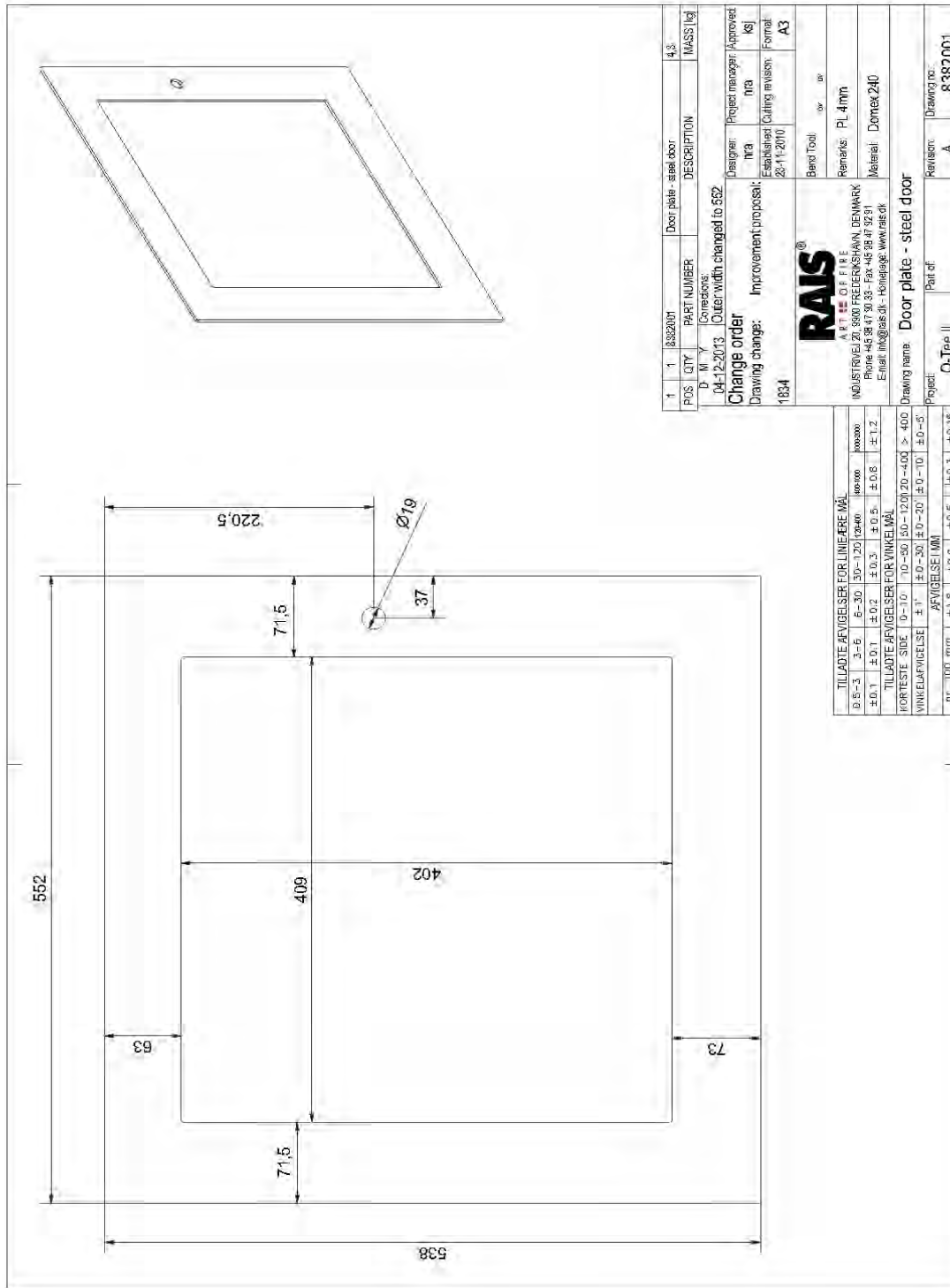
**Drawing 58**



**Drawing 59**



**Drawing 60**



POS	QTY	PART NUMBER	DESCRIPTION	MASS [kg]
1	1	0282001	Door plate - steel door	4,3

D M Y Corrections:  
 04-12-2013 Outer width changed to 552  
**Change order**  
 Drawing change: Improvement/proposal  
 1834

Designer: nra  
 Project manager: Approved: nra KS  
 Estimated Cutting revision: Formaf: A3

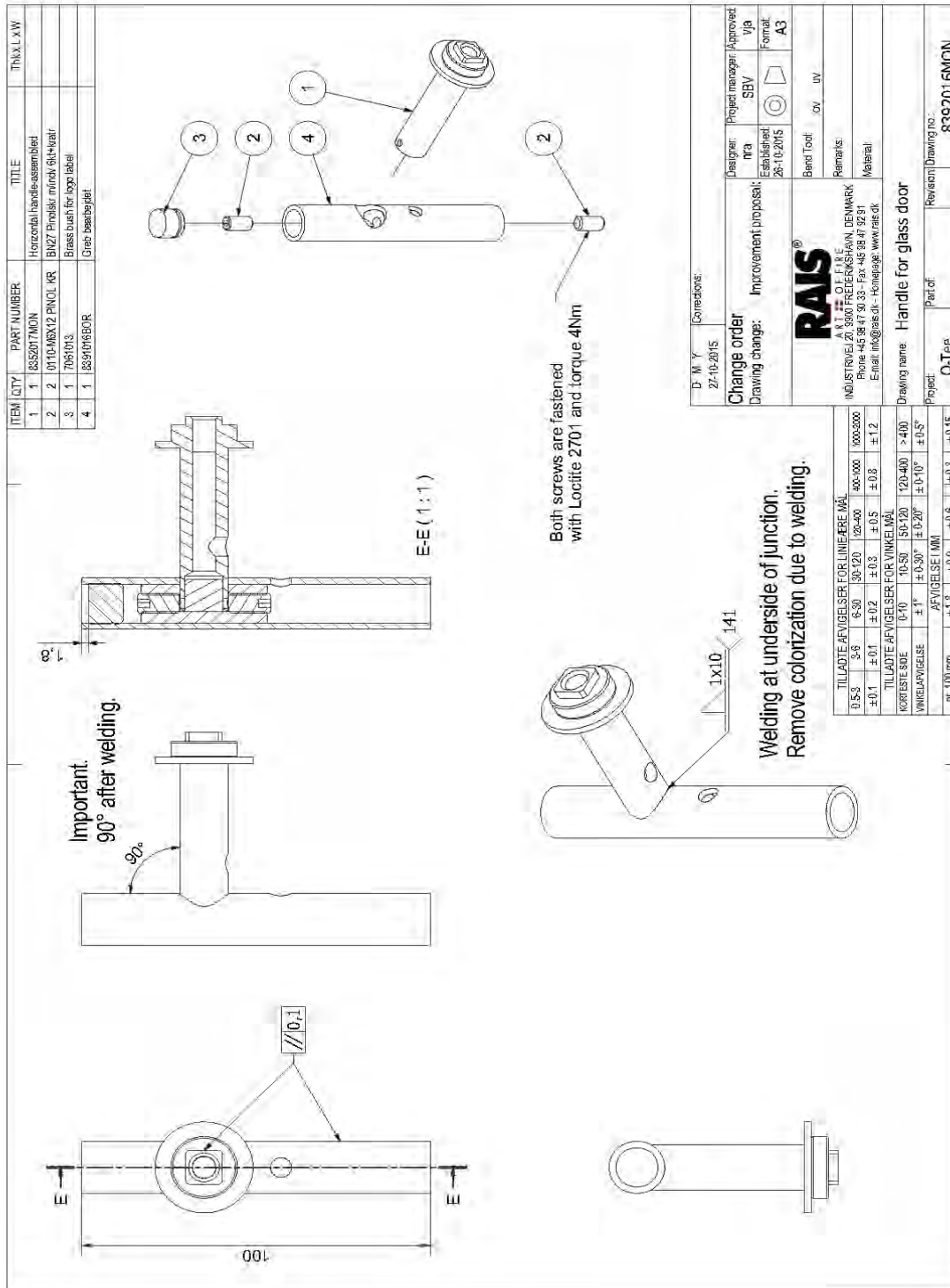
**RAIS**  
 A.P.T. OF FIRE  
 INDUSTRIVEJ 20, 5600 FREDERIKSHAVN, DENMARK  
 Phone +45 38 47 30 33 - Fax +45 38 47 32 31  
 E-mail: info@rais.dk - Homepage: www.rais.dk

Bend Tool: ov, ur  
 Remarks: Pl 4mm  
 Material: Domex 240

Drawing name: Door plate - steel door  
 Project: Q-TEE II Part of: A  
 Drawing no.: 8382001

TILLADTE AFVIGELSER FOR LIMEFØRE MÅL	
0,5-3	±0,3
3-6	±0,5
6-30	±0,8
30-120	±1,2
120-400	±1,5
400-1000	±2,0
TILLADTE AFVIGELSER FOR VINKEL MÅL	
FORTESTE SIDE	0-10
10-30	±0,2
30-45	±0,3
45-90	±0,5
90-120	±0,8
120-180	±1,2
180-270	±1,5
270-360	±2,0
VINKELAFVIGELSE AFVIGELSE [MM]	
0-100 mm	±0,5
100-200 mm	±0,8
200-300 mm	±1,2
300-400 mm	±1,5
400-500 mm	±2,0

**Drawing 61**



D. M. Y.	27-10-2015	Comentarios:	
Change order	Improvement proposal	Designer:	nfa
Drawing change:		Established:	26-10-2015
		Project manager:	SBV
		Approved:	Via
		Format:	A3
		Bend Tool:	DV
		Remarks:	Metalni
		RAIS A/S	
		INDUSTRIVEJ 2015001 FREDERIKSHAVN, DENMARK	
		Phone: +45 98 47 90 33 - Fax: +45 98 47 92 91	
		Email: info@rais.dk - Homepage: www.rais.dk	
Drawing name:	Handle for glass door		
Project:	Q-TeB	Revision:	8392016MON





# VII - LABELS

Label 1 - Q-TEE II Listing Label

Manufactured by  
**RAIS** RAIS A/S  
ART OF FIRE Industrivej 20, DK-3900 Frederikshavn, Denmark

Tested to:  
 UL 1482-2011  
 ULC S627-00

Tested & Listed By  
**O-TL** US  
Portland Oregon USA

Model: Q-TEE II USA  
 Solid Fuel Room Heater

For Use With Solid Wood Fuel Only

Model:

Date of manufacture:

Date of fabrication:

Month:

Year:

Serial no. / N° de série:

Made in Denmark / Fabriqué au Danemark

Report No. #0138WS016S

OMNI-Test Laboratories, Inc.

Report No. #0138WS016S

**Clearances to combustible surfaces**

MINIMUM CLEARANCE	Rear Vent	Event arrière
A: SIDE WALL TO UNIT	With Pedestal: 14"/355mm	Avec piédestal: 14"/355mm
B: BACK WALL TO UNIT	12"/305mm	12"/305mm
C: CORNER WALL TO UNIT	11"/280mm	11"/280mm
D: CEILING HEIGHT	45"/1143mm	45"/1143mm
E: FRONT WALL / FURNISHING	36"/915mm	36"/915mm
F: Back Wall to Pipe	15"/381mm	15"/381mm
G: Side Wall to Pipe	22.5"/572mm	22.5"/572mm
H: Corner Wall to Pipe	20"/508mm	20"/508mm

**Clearances to combustibles**

**Adjacent wall**

**Rear/Top vent option**

**FLOOR PROTECTOR**

See further floor protection requirements at bottom of this label.

Floor protection for Canada: 30" (76 cm) from unit to front of floor protector.

Floor protector must be under the pipe and 2" (5cm) beyond each side for back venting.

Do not store wood logs or combustible materials underneath the room heater. Ne pas stocker les bûches ou des matériaux combustibles sous le radiateur de la chambre

**FLOOR PROTECTION:**  
 Floor protection requirements are dependent upon whether the optional High Socket Base, Rais part number 838040590 is used.  
 Floor protection must be non-combustible material extending beneath the stove and to the front and sides from door opening and to the rear as indicated.  
 The floor protection needed on the floor when used WITHOUT the base is required to have thermal protection with an R value of 3.19 Blu "inFris"12." F (equal to 0.46 wmk in SI units) with the base, the floor protection is not required to have thermal protection (R=0)

Replace glass with only Rais authorized dealer supplied ceramic glass

\*\* Not Tested - NFPA Guidelines in USA, CAN/CSA B365-M91 in Canada

\*\* Non testé - NFPA Guidelines au USA, CAN/CSA B365-M91 au Canada

This wood heater needs periodic inspection and repair for proper operation. Consult the owner's manual for further information. It is against federal regulations to operate this wood heater in a manner inconsistent with the operating instructions in the owner's manual.

U.S. ENVIRONMENTAL PROTECTION AGENCY Certified to comply with 2020 particulate emission standards using crib wood. 0.9 g/hr, Method 28R



**Label 2 - Warnings Label**

<p><b>TO PREVENT HOUSE FIRES</b>                  Contact local Building or Fire officials about restrictions and installation inspection in your area.</p> <p>Install and use only in accordance with manufacturer's installation and operating instructions and local codes.                  In absence of any local codes, installation must meet minimum requirements of NFPA 211 in USA, and B365 in Canada.                  Refer to manufacturer's instructions and local codes for precautions required for passing chimney through a combustible wall or ceiling.                  Inspect and clean chimney system frequently in accordance with manufacturer's instruction.</p> <p>Do not connect this stove to a chimney flue serving another appliance.                  Do not use grate or elevate fire.                  Build wood fire directly on hearth.                  Flue connector pipe must be 6 inch diameter, minimum single wall 24 msg black or 25 msg blued steel.                  Chimney must be factory built 6" diameter Class "A" 103 HT, or masonry.</p> <p><b>TO PREVENT CREOSOTE FIRES</b>                  Inspect and clean chimney frequently - Under certain conditions of use, creosote buildup may occur rapidly.</p> <p>Do not use other fuels than Fire wood.</p> <p><b>CAUTION:</b> Fully open combustion air control before opening the fuel feed door.</p> <p><b>CAUTION:</b> Only operate the wood heater with the doors closed.</p>	<p><b>POUR EVITER LES INCENDIES DOMESTIQUES</b>                  Contactez les Autorités des Bâtiments et des pompiers concernant les restrictions et inspections d'installation dans votre région.</p> <p>Installez et utilisez cet appareil uniquement en respectant les instructions d'installation et d'utilisation du fabricant.</p> <p>Respectez aussi les réglementations locales.                  En l'absence de réglementations locales, l'installation doit respecter les normes minimums de NFPA 211 aux USA et B365 au Canada.                  Référez-vous aux instructions du fabricant et règlement locaux concernant les précautions nécessaires à prendre pour le passage de la cheminée à travers une paroi ou un plafond combustible.                  Inspectez et nettoyez le système de cheminée fréquemment selon les instructions du fabricant.</p> <p>Ne connectez pas ce poêle à un conduit de cheminée utilisée par un autre appareil.</p> <p>N'utilisez pas de grille et ne faites pas monter le feu.                  Établissez le feu de bois directement dans l'âtre.                  Le tuyau de connexion au conduit doit avoir un diamètre de 6 inch, minimum simple conduit 24 msg acier noir ou 25 msg acier bleu.</p> <p>La cheminée doit être une fabrication de 6" de diamètre Class "A" 103 HT, ou en maçonnerie.</p> <p><b>POR EVITER LES FEUX DE CREOSOTE</b>                  Inspectez et nettoyez la cheminée régulièrement - Sous certaines condition d'emploi, la créosote peut s'accumuler rapidement.</p> <p>Ne pas utiliser d'autres combustibles que le bois.</p> <p><b>AVIS:</b> Ouvrez complètement le contrôle d'air de combustion avant d'ouvrir la porte du foyer.</p> <p><b>AVIS:</b> Seulement se servir du poêle portes fermées.</p>
<p><b>CAUTION:</b>                  HOT WHILE IN OPERATION-DO NOT TOUCH                  KEEP CHILDREN AND CLOTHING AWAY-                  CONTACT MAY CAUSE SKIN BURNS.                  SEE NAMEPLATE AND INSTRUCTIONS.                  KEEP FURNISHINGS AND OTHER COMBUSTIBLE MATERIALS A CONSIDERABLE DISTANCE AWAY FROM THE APPLIANCE.</p> <p>Do not overfire - If heater or chimney connector glows, you are overfiring.</p>	<p><b>ATTENTION:</b>                  CHAUD PENDANT LE FONCTIONNEMENT - NE PAS TOUCHER ECARTEZ LES ENFANTS ET LES VETEMENTS- LE CONTACT PEU CAUSER DES BRULURES. CONSULTEZ LA PLAQUE ET LES INSTRUCTIONS. TENIR LES MEUBLES ET AUTRES MATIERES COMBUSTIBLES A GRANDE DISTANCE DE L'APPAREIL.</p> <p>Évitez de surchauffer-si le feu ou la cheminée rougeoit, vous surchauffez.</p>
<p><b>DO NOT REMOVE THIS LABEL / NE PAS ENLEVER CETTE ÉTIQUETTE</b></p>	

**Label 3 - Q-TEE II C Listing Label**

Manufactured by: **RAIS A/S**  
ART OF FIRE  
 Industrivej 20, DK-3600 Fredrikshavn, Denmark

Tested to:  
 UL 1482-2011  
 ULC S627-00

Tested & Listed By: **O-T-L**  
C US  
 Portland Oregon USA

OMNI-Test Laboratories, Inc.  
 Report No. #0138WS016S

Model:   
 Modèle:

Date of manufacture:   
 Date of fabrication:

Year:   
 Année:

Serial no.:   
 N° de série:

Made in Denmark  
 Fabrique au Danemark

For Use With Solid Wood Fuel Only

Model: Q-TEE II C USA  
 Solid Fuel Room Heater

Month:   
 Mois:

U.S. ENVIRONMENTAL PROTECTION AGENCY Certified to comply with 2020 particulate emission standards using crib wood, 0.9 g/hr, Method 28R

This wood heater needs periodic inspection and repair for proper operation. Consult the owner's manual for further information. It is against federal regulations to operate this wood heater in a manner inconsistent with the operating instructions in the owner's manual.

\*\* Non testé - NFPA Guidelines au USA, CAN/CSA B365-M31 au Canada

La protection de sol doit être au moins de 3/8 inch matériel non combustible placé sous le foyer s'étendant vers l'avant, les côtés les ouvertures et l'arrière comme inclusé.

**Clearances to combustible surfaces**

**MINIMUM CLEARANCE**

MINIMUM CLEARANCE	With Pedestal	With Pedestal No pedestal	Peer Vent:
A: SIDE WALL TO UNIT	14"/356mm	14"/356mm	15"/381mm
B: BACK WALL TO UNIT	12"/305mm	12"/305mm	15"/381mm
C: CORNER WALL TO UNIT	13.5"/343mm	N/A	15.5"/394mm
D: CEILING HEIGHT	45"/1143mm	45"/1143mm	45"/1143mm
E: FRONT WALL / FURNISHING	36"/915mm	36"/915mm	36"/915mm
F: Back Wall to Pipe	17"/432mm	N/A	20"/508mm
G: Side Wall to Pipe	24"/610mm	24"/610mm	25"/635mm
H: Corner Wall to Pipe	22.5"/572mm	N/A	24.5"/622mm

Do not store wood logs or combustible materials underneath the room heater. Ne pas stocker les journaux de bois ou des matériaux combustibles sous le radiateur de la chambre.

**FLOOR PROTECTION:**  
 Floor protection requirements are dependent upon whether the optional High Socket Base, Rais part number 888040590 is used.  
 Floor protection must be non-combustible material extending beneath the stove, and to the front and sides from door opening and to the rear as indicated.  
 The floor protection needed on the floor when used WITHOUT the base is required to have thermal protection with an R value of 3.19 for 500/542°F (equal to 0.46 w/mK in SI units) with the base, the floor protection is not required to have thermal protection (R=0)

Replace glass with only Rais authorized dealer supplied ceramic glass.

\* Not Tested - NFPA Guidelines in USA, CAN/CSA B365-M31 in Canada

**\*\*Rear/Top vent option**

**FLOOR PROTECTOR**

See further floor protection requirements at bottom of this label.

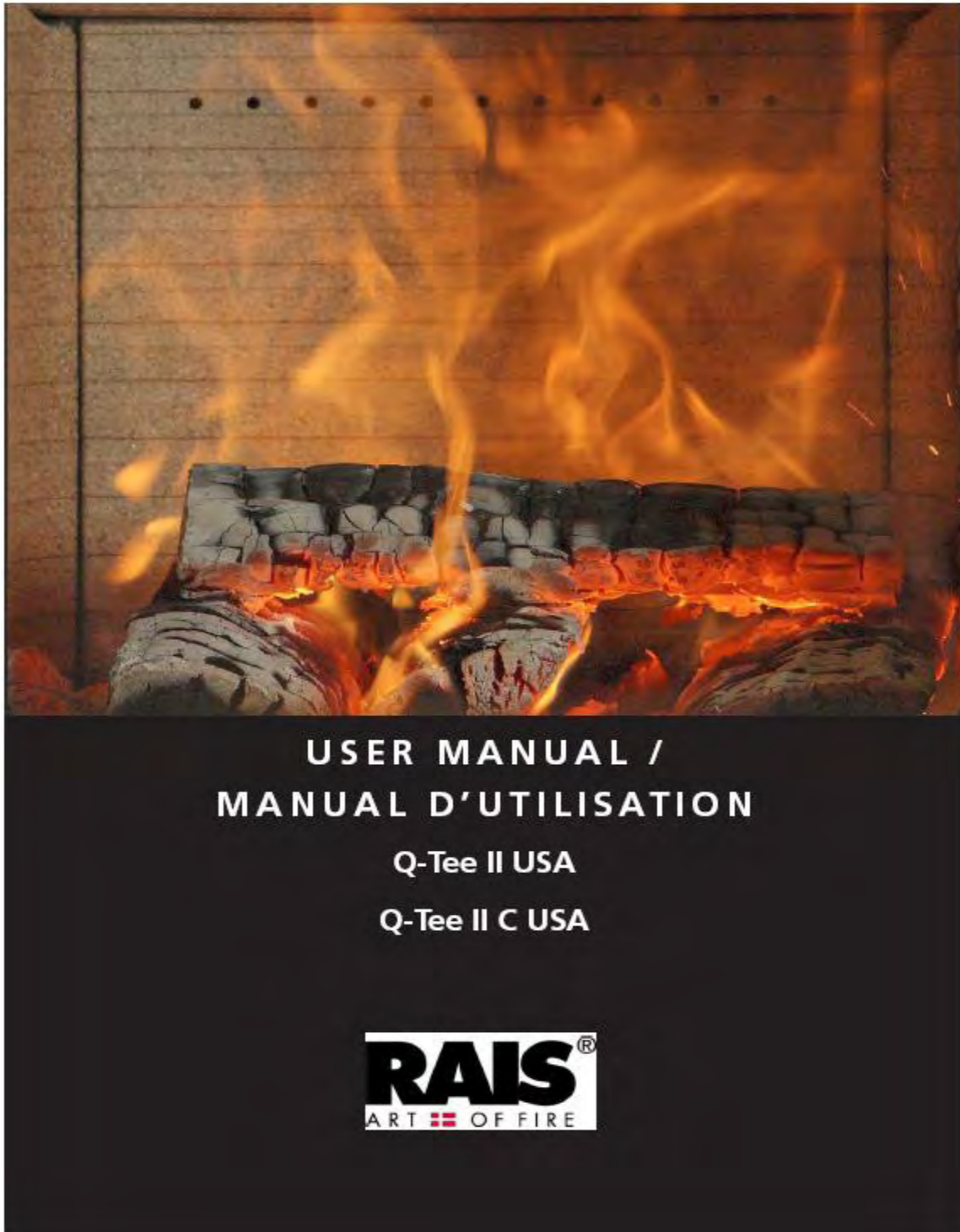
Event arrière:  
 Avec piédestal: 14"/356mm  
 Sans piédestal: 15"/381mm  
 Avec piédestal: 12"/305mm  
 Sans piédestal: 15"/381mm  
 Avec piédestal: 13.5"/343mm  
 Sans piédestal: N/A  
 Avec piédestal: 45"/1143mm  
 Sans piédestal: 45"/1143mm  
 Avec piédestal: 36"/915mm  
 Sans piédestal: 36"/915mm  
 Avec piédestal: 17"/432mm  
 Sans piédestal: N/A  
 Avec piédestal: 24"/610mm  
 Sans piédestal: 24"/610mm  
 Avec piédestal: 22.5"/572mm  
 Sans piédestal: N/A

Floor protection for Canada: 30" (76 cm) from unit to front of floor protector  
 Floor protector must be under the pipe and 2" (5cm) beyond each side for back venting.



## VIII. MANUALS

User / Installation Manual, Combined English and French Language, Cover



User / Installation Manual, Combined English and French Language, Table of Contents

US English

User Manual Q-Tee II USA / Q-Tee II C USA

---

**Q-Tee II USA**  
**Q-Tee II C USA**

OMNI report no. : #0138WS016S

Revision : 7  
Date (DMY) : 12-01-2017

INTRODUCTION ..... 4  
WARRANTY ..... 4  
SPECIFICATIONS ..... 5  
CONVECTION ..... 6  
GLASS AND REPLACEMENT OF GLASS ..... 6  
CHIMNEY ..... 7-8  
INSTALLATION ..... 9  
NAME TAG Q-Tee II USA ..... 12-13  
CLEARANCES TO COMBUSTIBLE WALLS Q-Tee II USA ..... 14-15  
CLEARANCES TO NON-COMBUSTIBLE WALLS Q-Tee II USA ..... 16  
FLOOR PROTECTION Q-Tee II USA ..... 16  
NAME TAG Q-Tee II C USA ..... 17  
CLEARANCES TO COMBUSTIBLE WALLS Q-Tee II C USA ..... 18-19  
CLEARANCES TO NON-COMBUSTIBLE WALLS Q-Tee II C USA ..... 20  
FLOOR PROTECTION Q-Tee II C USA ..... 20  
FIREWOOD ..... 21  
  DRYING AND STORING ..... 21  
ADJUSTING THE COMBUSTION AIR ..... 22  
USING THE STOVE ..... 23  
ADJUSTING THE AIR CONTROL ..... 23  
CONTROL ..... 24  
FIRST FIRE ..... 24  
COLD HANDLE ..... 24  
LIGHTING AND STOKING ..... 25-26  
FUEL CAUTION ..... 27  
CARE AND MAINTENANCE ..... 27  
CLEANING THE SMOKE/BAFFLE SYSTEM ..... 29  
DISPOSAL OF ASHES ..... 30  
TROUBLE SHOOTING ..... 31  
SPARE PART DRAWING ..... 32-35

3

**Pedestal Base Installation Instructions (Packaged with pedestal base accessory part no. 838040590)**

**Deutsch: Montage der Sockel unter Q-TEE II Ofen**

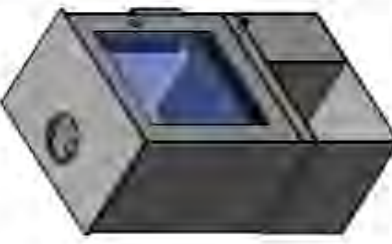
1. Entfernen Sie die Reflektorplatte und 4 Schrauben von der Unterseite des Ofens. Die Teile werden nicht mehr gebraucht.
2. Entfernen Sie vorsichtig die Innenabdeckung vom Sockel.
3. Stellen Sie den Ofen auf den Sockel, und befestigen Sie den Ofen auf dem Sockel mit den langen Schrauben.
4. Der Sockel soll bündig mit der Front und den Seiten liegen. Achten Sie darauf, daß min. 5 mm Luft zwischen Ofen und Sockel vorhanden ist. Die Schrauben werden mit der Hand gespannt.
5. Montieren Sie vorsichtig die Innenabdeckung im Sockel.
6. Falls erforderlich befestigen Sie Noppen unter dem Sockel, damit der Ofen nicht wackelt.

**Mounting the socket under a Q-TEE II stove**

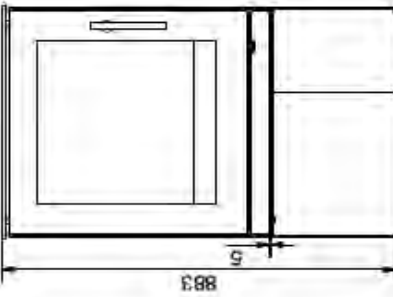
1. Remove reflector plate and 4 screws from underneath the stove. They are not applicable anymore.
2. Remove gently the inner cover from the socket assembly.
3. Place the stove on top of the socket, and mount the longer screws (M8x30) instead.
4. Align the socket with outer mantle and front of the stove. Allow min. 5 mm gap between stove and socket. Tighten the screws by hand.
5. Replace the inner cover gently.
6. If needed place cork pads under the socket to prevent it from tilting.

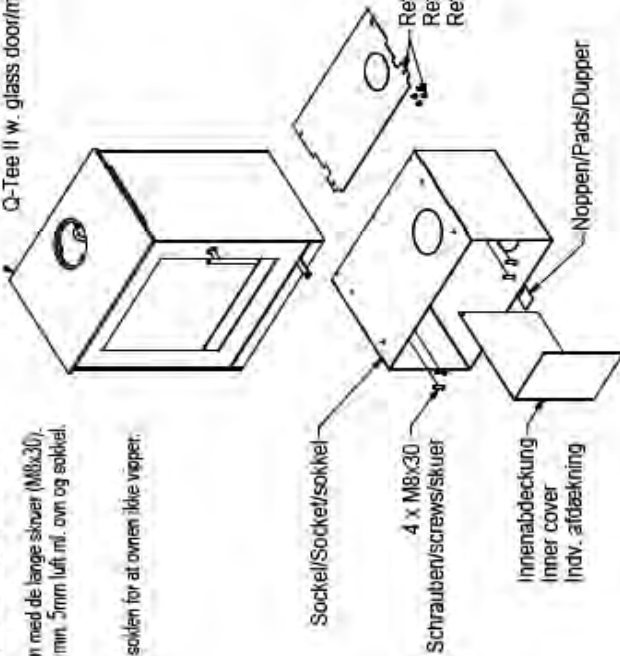
**Montage af sokkel under Q-TEE II**

1. Fjern reflektorpladen og 4 skruer fra undersiden af ovnen. De bruges ikke mere.
2. Fjern forsigtigt den indv. afbækning fra soklen.
3. Placer ovnen ovenpå soklen og fastgør den til ovnen med de lange skruer (M8x30).
4. Soklen skal flugte med ovenns sider og front. Tillad min. 5mm luft ml. oven og sokkel. Skruer håndspændes.
5. Placer forsigtigt den indv. afbækning ind i soklen.
6. Hvis det er nødvendigt fastgøres korkdupper under soklen for at ovnen ikke vipper.



838990:  
Q-TEE II w. steel door/med stålåge  
83890002:  
Q-TEE II w. glass door/med glasiåge





<b>RAIS</b> A/S INDUSTRIVEJ 20, 8000 FREDERIKSHAVN, DENMARK Phone: +45 98 47 30 30 - Fax: +45 98 47 32 91 Email: info@rais.dk - Homepage: www.rais.dk	Designer: rna D M Y Corrections:	Project manager: rna lsq			
Drawing name: Assembly instr. for stove w. socket - Q-TEE II			Excluded:	Format:	Revision:
Project: Q-TEE II			(1-1)-2015	A3	---
			Drawing no.: 8388616		

## **IX. MANUFACTURING AND PRODUCTION TESTS**

In order to maintain a listing by OMNI of the product(s) described in this report, the manufacturer agrees to perform the following Manufacturing and Production tests:

None are required



## **X. - QUALITY ASSURANCE / QUALITY CONTROL (QA / QC)**

As a testing laboratory, OMNI follows the guidelines of ISO/IEC 17025, “General Requirements for the Competence of Testing and Calibration Laboratories,” and the quality assurance/quality control (QA/QC) procedures found in OMNI’s Quality Assurance Manual. As a certification organization, OMNI follows ISO/IEC Guide 17065, “General Requirements for Bodies Operating Product Certification Systems.”

OMNI’s scope of accreditation includes, but is not limited to, the following:

- American National Standards Institute (ANSI) for certification of products to safety standards (Certification ID #0654).
- International Accreditation Service, Inc. (formerly ICBO ES) as a testing laboratory (TL-130).
- Standards Council of Canada (SCC) for certification of products to safety standards.
- Serving as a testing laboratory for the certification of wood heaters by the U.S. Environmental Protection Agency.

This report is issued within the scope of OMNI’s accreditation. Accreditation certificates are available upon request.

Following each quality assurance inspection, an audit form will be submitted to the manufacturer for signature indicating that the production units meet the requirements, as tested by OMNI, of the appropriate standards or that resolutions must be made to continue listing. Failure to produce data needed for annual audits or unapproved changes in production that may jeopardize the safety of the appliance may result in the revocation of listing.

